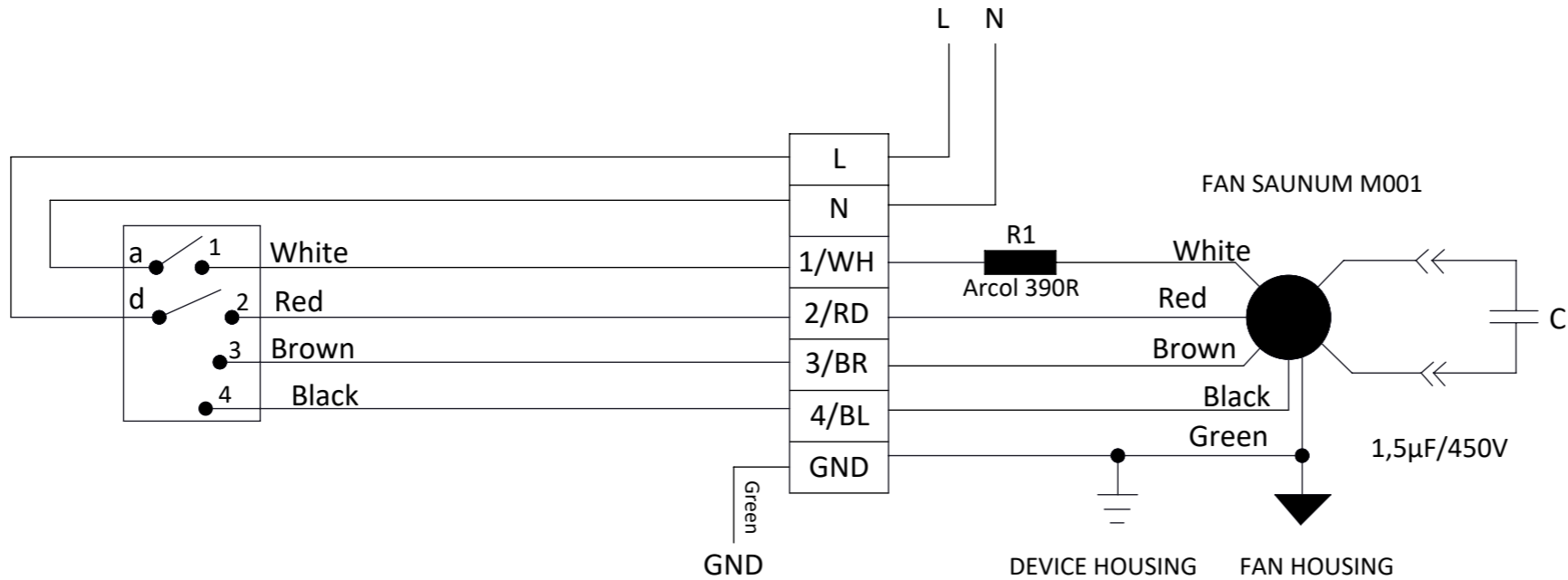


This document and its contents are the property of Saunum Group Ltd. and must not be copied, reproduced or disclosed to any third party without prior written permission. Contravention will be prosecuted.

H:\Saunum Saunas OÜ\Saunum 3D\Elektriskeemid\

REVISIONS			
REV.	DESCRIPTION	DATE	APPROVED




Tolerances for linear and angular dimensions without individual tolerance indications ISO2768-m (medium)

	Tolerance (except radii & chamfers)		Tolerance for external radii & chamfer		Tolerance for angular dimension	
	>	≤	>	≤	>	≤
0,5	3	±0,1	±0,2	10	±1°	
3	6	±0,1	±0,5	10 50	±0°30'	
6	30	±0,2	±1	50 120	±0°20'	
30	120	±0,3		120 400	±0°10'	
120	400	±0,5		400	±0°5'	
400	1000	±0,8				
1000	2000	±1,2				
2000	4000	±2				

PCS/SET *	Type: EU	Tolerance:	Geometric tolerance symbols acc. ISO1101 General tolerance symbols acc. ISO2768 Surface roughness symbols acc. ISO1302
Drw: RS 23.01.2023	Material: according to spec.	Welding:	Welding tolerances EVS-EN ISO 13920 - B Welding connections ISO 2553 Quality level weld EVS-EN ISO 5817 - C
Chk: --	Finish: -	Base EU wiring diagram	
App: --			
Sheet: 1/1	Size: A3	Drawing number:	SA-ES009-00
Scale 1:2	Weight: kg 0.00	Metric: mm	Rev. 00

Printed: 23.01.2023


 Saunum Saunas OÜ
 Suur-Paala 19, 11415 Tallinn, Estonia
 www.saunum.com