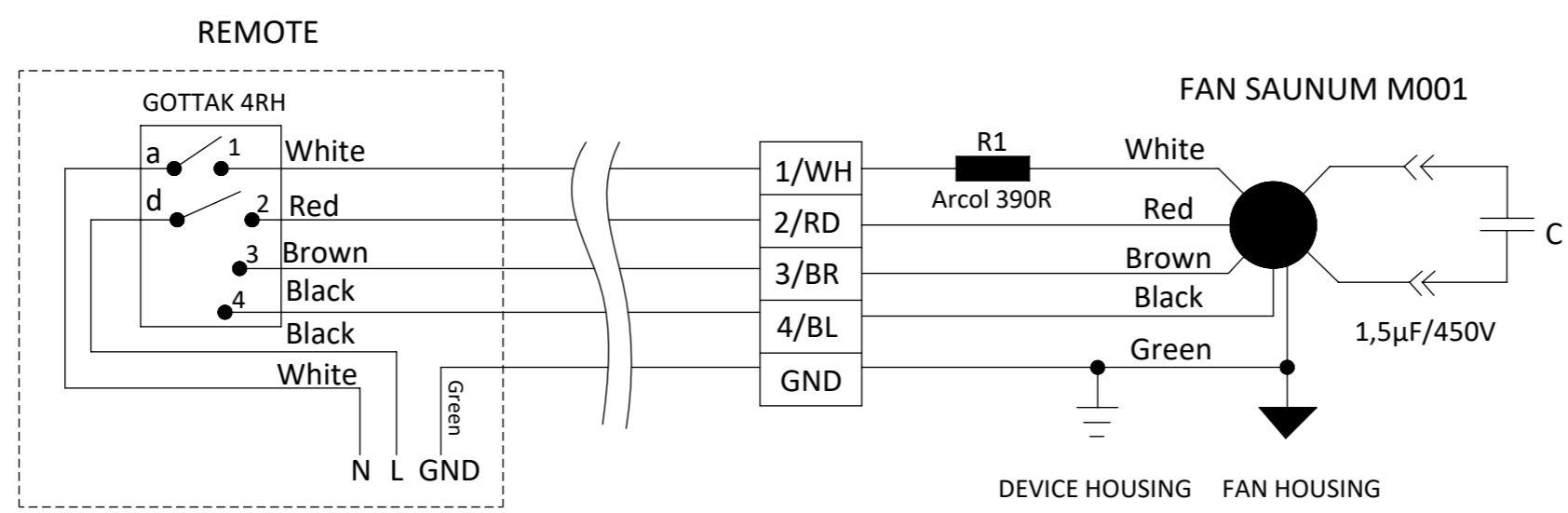


This document and its contents are the property of Saunum Group Ltd. and must not be copied, reproduced or disclosed to any third party without prior written permission. Contravention will be prosecuted.

H:\Saunum Saunas OÜ\Saunum 3D\Elektriskeemid\

REVISIONS				
ZONE	REV.	DESCRIPTION	DATE	APPROVED



Tolerances for linear and angular dimensions without individual tolerance indications ISO2768-m (medium)

		Tolerance (except radii & chamfers)		Tolerance for external radii & chamfer		Tolerance for angular dimension	
>	≤			>	≤	>	≤
0,5	3	±0,1	±0,2	10	10	±1°	
3	6	±0,1	±0,5	10	50	±0°30'	
6	30	±0,2	±1	50	120	±0°20'	
30	120	±0,3		120	400	±0°10'	
120	400	±0,5		400		±0°5'	
400	1000	±0,8					
1000	2000	±1,2					
2000	4000	±2					

PCS/SET *		Type: EU	Tolerance: Geometric tolerance symbols acc. ISO1101 General tolerance symbols acc. ISO2768 Surface roughness symbols acc. ISO1302
Drw: RS 23.01.2023		Material: according to spec.	
Chk: --		Finish: -	Welding: Welding tolerances EVS-EN ISO 13920 - B Welding connections ISO 2553 Quality level weld EVS-EN ISO 5817 - C
App: --			
Sheet: 1/1		Size: A3	<b>BASE S EU wiring diagram</b>
Scale 1:2	Weight: kg 0.00	Metric: mm	
Saunum Saunas OÜ Suur-Paala 19, 11415 Tallinn, Estonia www.saunum.com		Drawing number: SA-ES010-00	
			Rev. 00

Printed: 17.02.2023