



INSTALLATION GUIDE AND USER MANUAL OF
SAUNUM AIRCUBE TERRACE

saunum

Contents

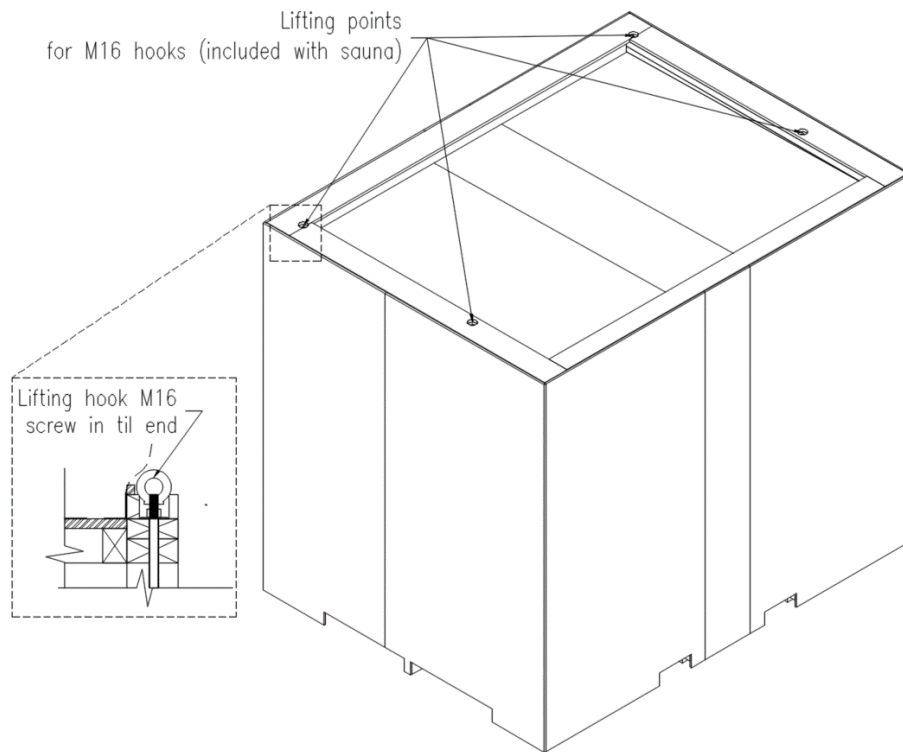
1. Installation requirements	3
2. Transport.....	4
3. Protective OSB box disassembling	5
Sauna with protective OSB box.....	5
Disassembling steps:.....	5
Sauna without OSB box.....	7
4. Final assembly	9
Needed tools for the assembly.....	9
Included assembly materials.....	9
Final Assembly Instructions:	10
5. Instructions for adjusting sauna door	14
Adjusting the hinge	14
6. Sauna electrical connections	15
7. User guide	16
Fresh air ventilator and exterior light switch.....	16
Using and connecting Bluetooth speakers	16
Using remote controller.....	16
8. Maintenance	17
General upkeep.....	17
Interior maintenance	17
Exterior care.....	17
General notes.....	17
9. WARRANTY CONDITIONS FOR SAUNUM SAUNAS.....	18
Warranty Period:.....	18
Coverage:	18
Exclusions:.....	19
Claims Process:.....	19

saunum

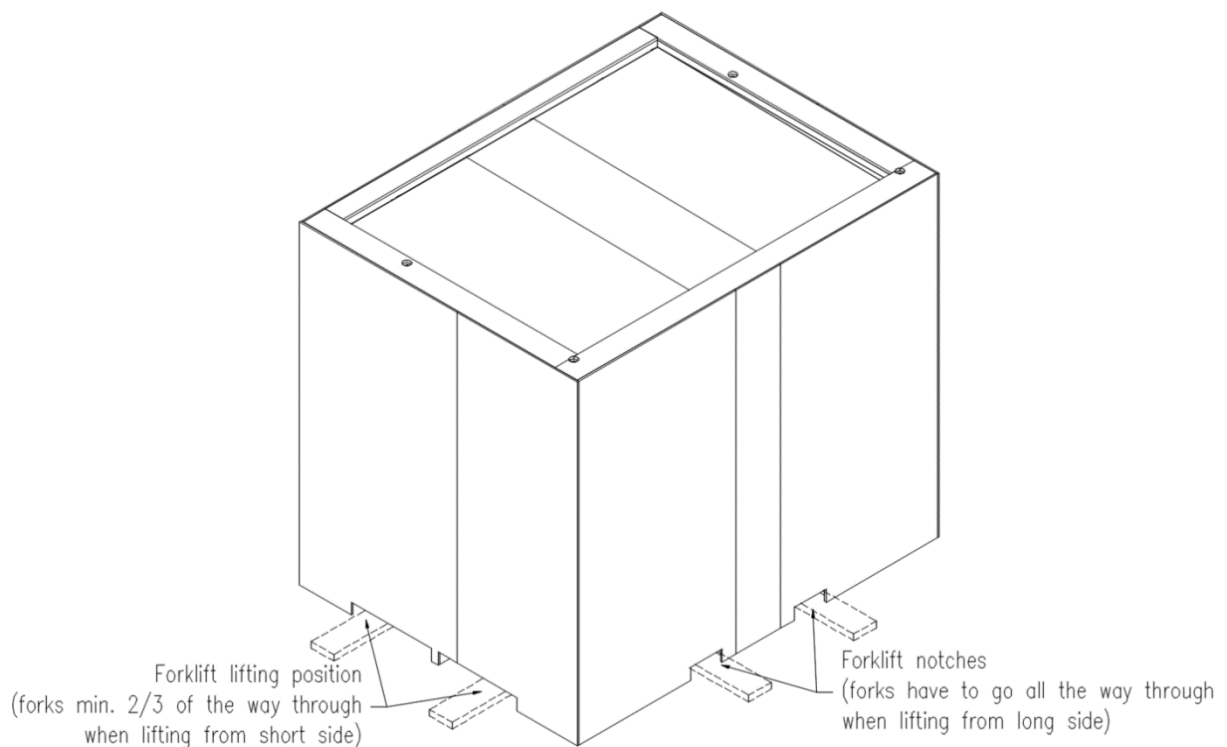
2. Transport

Sauna is packed into protective OSB box. Do not disassemble the OSB box until after lifting the sauna into its final location. Total weight of the sauna with OSB box is 1850 kg.

Sauna can be lifted from **above with crane**:



Sauna can be lifted from **below with forklift**:



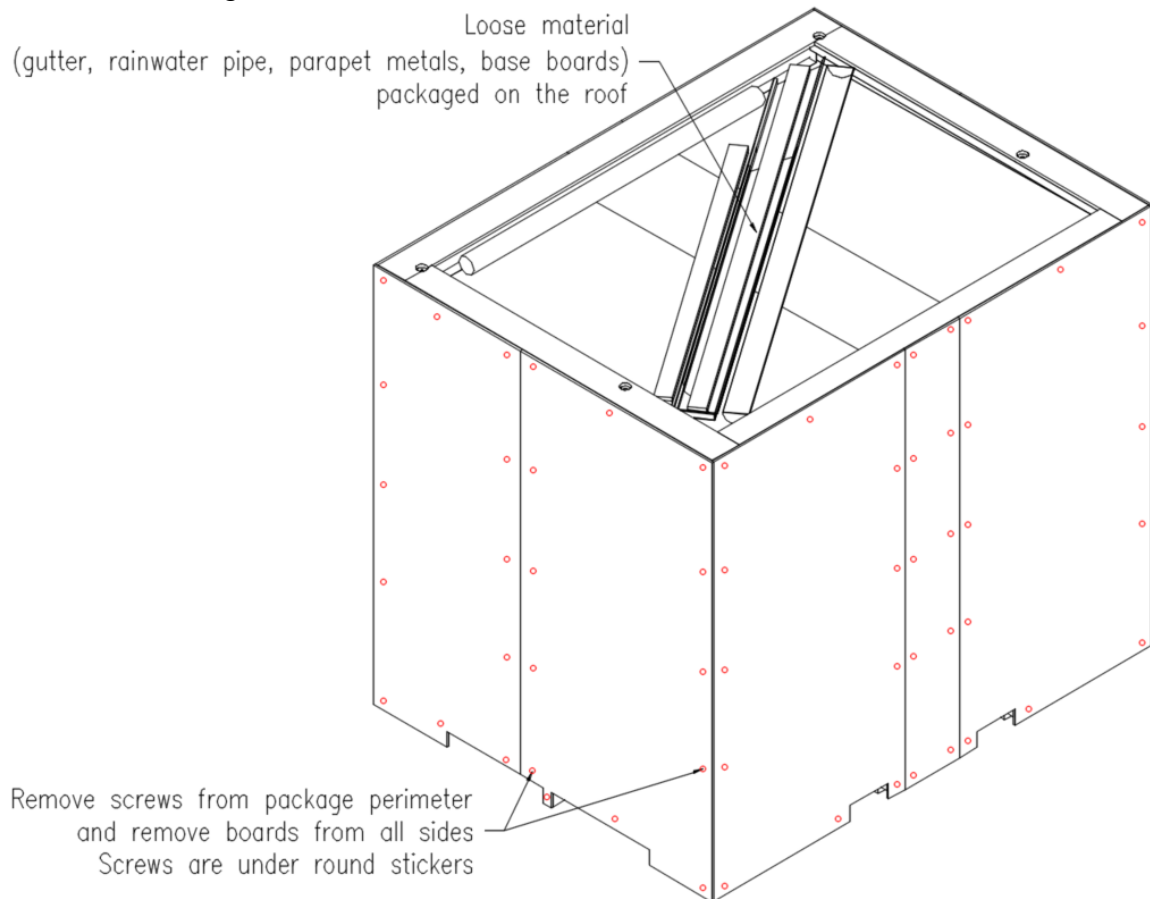
3. Protective OSB box disassembling

Sauna with protective OSB box

Dismantle the protective OSB box before final assembly. OSB boards are fastened with small screws covered with round stickers. The OSB boards, including the screw cover stickers, are painted black. The stickers prevent paint from getting into the screw heads and the screws are much easier to find.

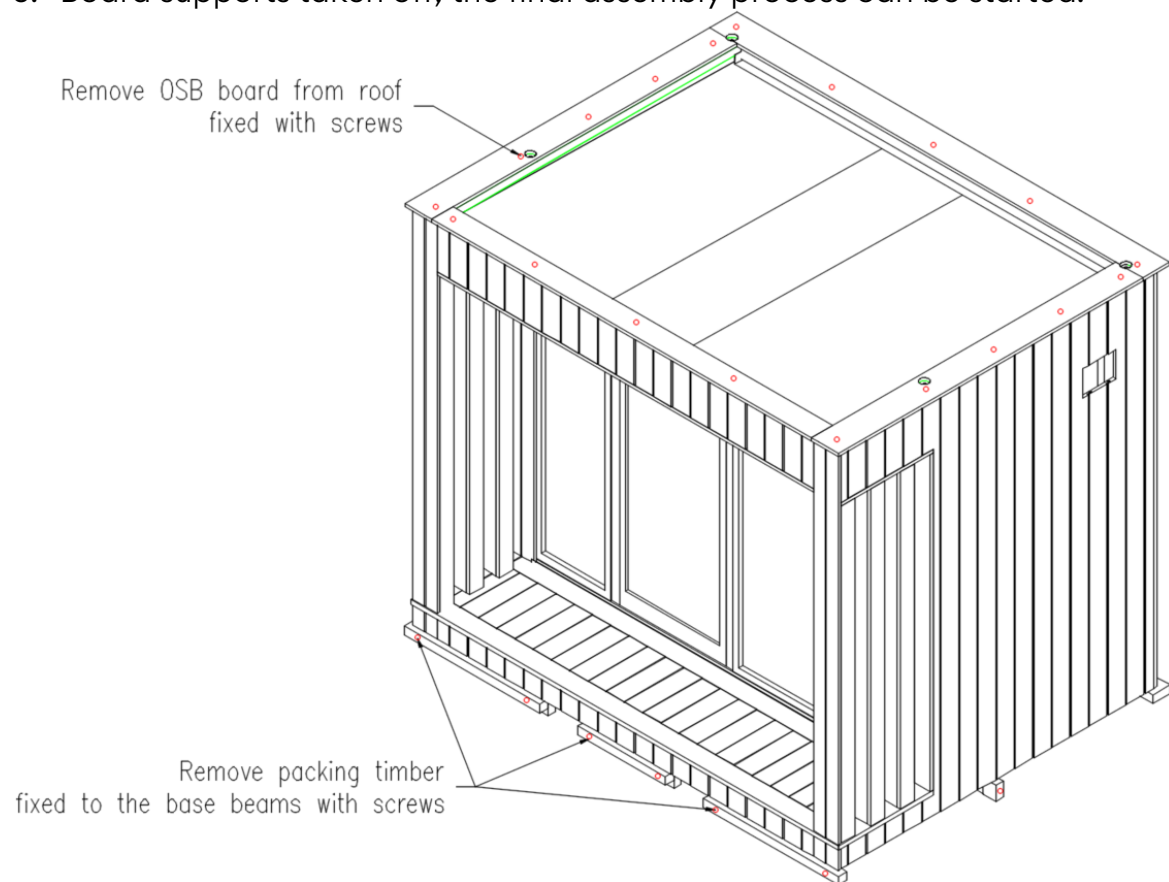
Disassembling steps:

1. Remove stickers from the boards
2. Unscrew the boards with a power screwdriver
3. Remove the OSB boards and stack them on a level surface
4. Make sure that the supports of the boards do not come loose and fall down when loosening the screw



saunum

5. Once all the boards around the sauna have been removed, you can start dismantling the board supports at the top and bottom of the sauna
6. At the top are OSB strips with battens that are attached to the top with screws
7. The lower part of the boards is supported with timber. These are fastened with longer screws
8. Board supports taken off; the final assembly process can be started.



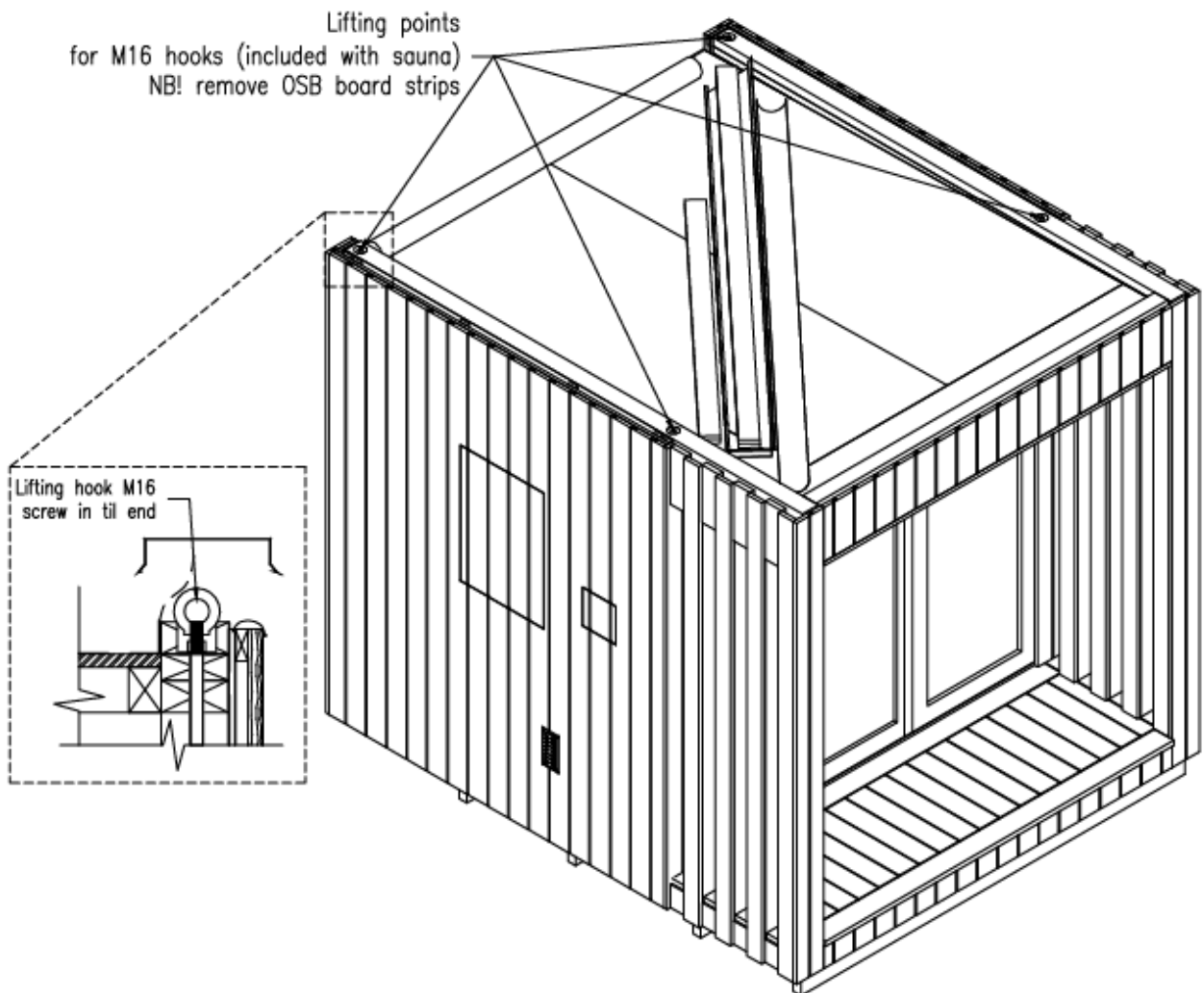
PS!

1. Be aware of the risk of falling objects when unpacking the package
2. Screw markings on drawings are indicative
3. Dispose of packaging material according to local requirements

saunum

Sauna without OSB box

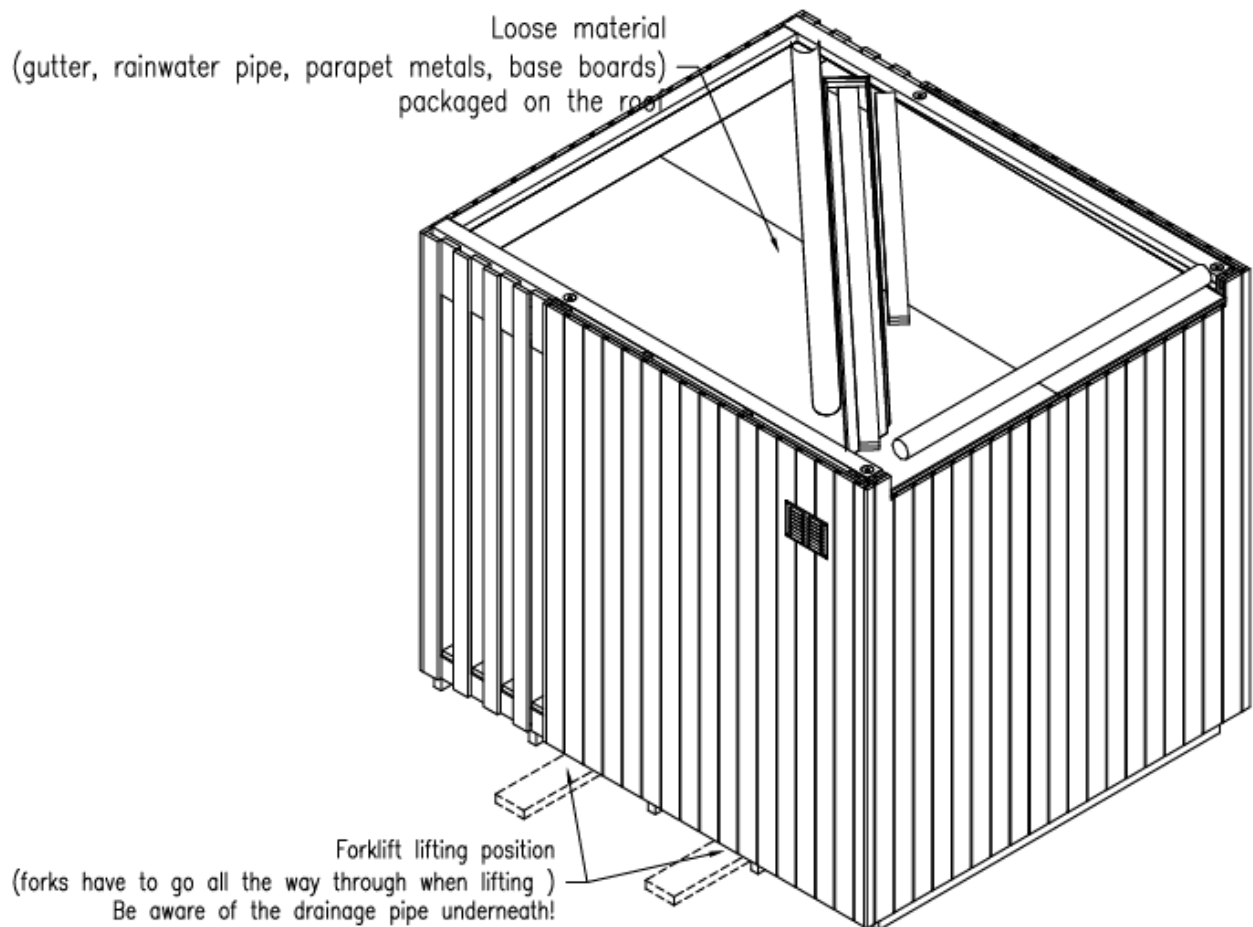
Sauna can be lifted from **above**:



The lifting hooks are included with your sauna package and can be found positioned on the top of the roof, beneath a plastic wrap. Please refer to this drawing for guidance in identifying where each hook is situated. Screw each hook into its designated location until a firm and complete connection is achieved. Ensure that the hooks are tightly fastened to guarantee stability during the lifting process.

saunum

Sauna can be lifted from **below** with forklift:



Before beginning the lift, inspect the sauna packaging for designated fork locations, which are marked with arrows. These marks indicate where the forklift forks should be positioned. Ensure that the forklift forks are at least 2.5 meters long. This length is crucial as it allows for adequate support across the sauna's base, minimizing the risk of tipping or damaging the structure during the lift. Begin by sliding the forklift forks underneath the sauna. It's essential that the forks are parallel to the sauna's sides. The forks must also be in a horizontal position. Any tilt could lead to risk of damaging sauna. At the end of positioning the forks, maintain a distance of 50 mm between the forklift and the sauna. This gap is important to avoid any contact that could cause damage or interfere with the lift. Slowly raise the forklift's forks until they secure the sauna. Ensure that the load is stable before moving, the path is clear, and the load is balanced

4. Final assembly

Final assembly shall be organized **by the client**. All electrical connections must be made by certified electrician.

Final assembly includes installing of the:

- Parapet metal;
- Decorative base boards;
- Rainwater system;
- Main power cable;
- Heater (+ control unit).

Sauna door must be adjusted according to the instructions after the final installation, if needed.

Needed tools for the assembly

- Ladder
- Level
- Tape measure
- Drill Driver
- TORX head driver bit set
- 8 mm hex head socket for the driver
- Sheet metal scissors
- Metal cutting saw
- 3,2 mm drill bit for metal
- Rivet gun
- Pliers
- Hex key set
- Screwdriver set
- Sealant gun + weather resistant silicone
- Paint brush
- Circular saw

Included assembly materials

Fixings:

4,8x28; 8mm HEX screws, black
4x50; TX20 woodscrews, black
5x50; TX25 woodscrews
3,2x8 rivet, black, alu.

Exterior finish:

Extra cladding boards, 2 pcs.
Base boards, 4 pcs. (top of the roof)
Repair paint, 400 ml

Rainwater system:

Gutter (top of the roof)
Gutter support bracket, 4 pcs.
Drop outlet
Downpipe (top of the roof)
Downpipe brackets, 2 pcs.
Outlet
Parapet metal front (top of the roof)
Parapet metal right (top of the roof)
Parapet metal left (top of the roof)

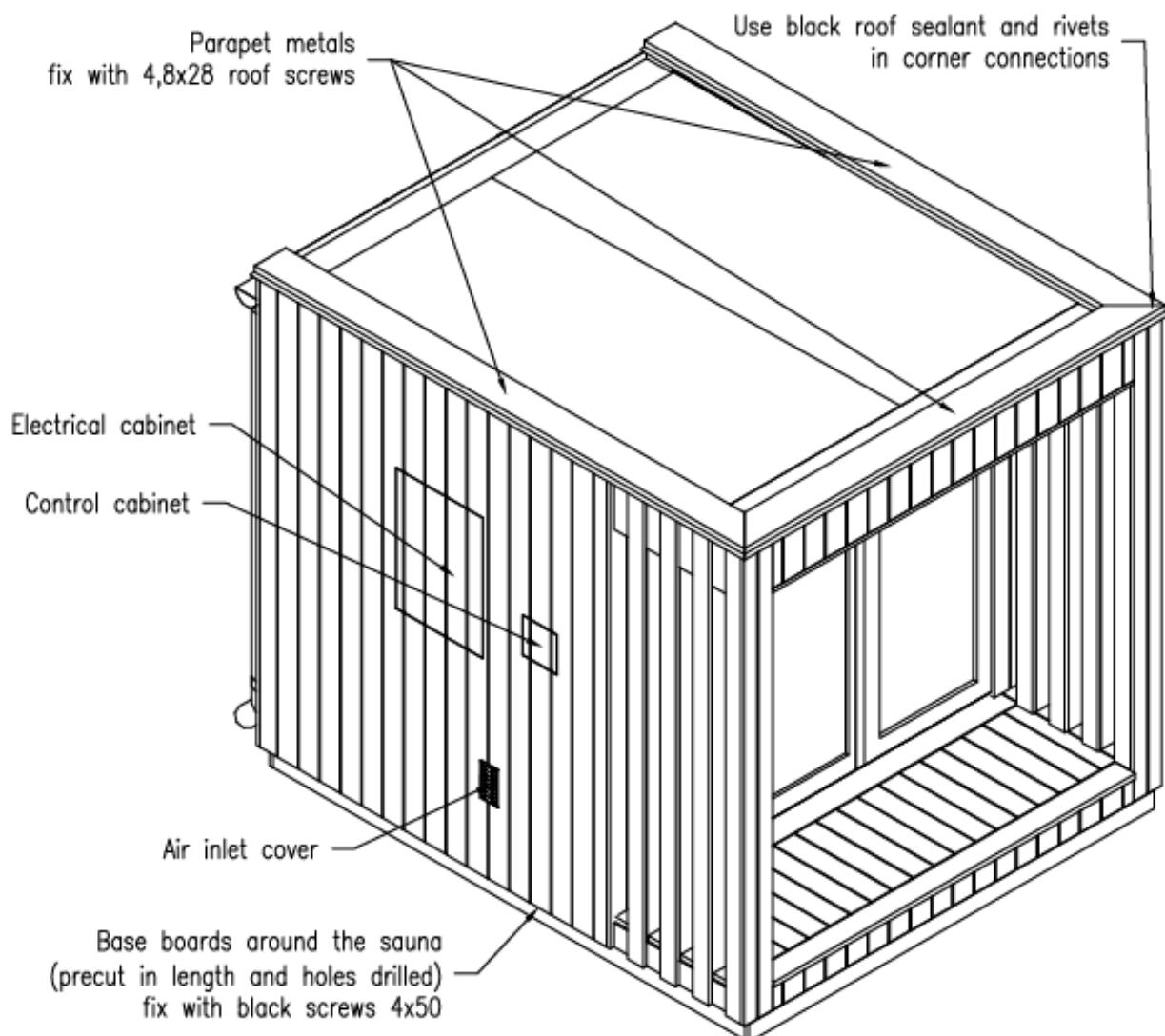
saunum

Final Assembly Instructions:

Sauna cannot be exposed to the weather conditions without parapet metals

Parapet metals installation.

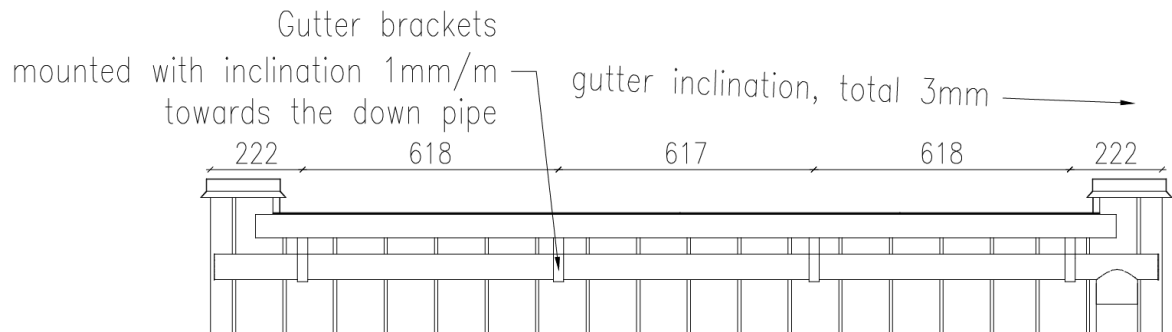
1. Unwrap metals carefully, do not scratch paint surface with sharp objects
2. Place the metal on the parapet. The longer piece is for the front and the shorter ones are for the left and right sides.
3. Ensure that the metals are aligned in the corners so that there are no gaps between them. Use metal scissors to adjust, if needed.
4. Use black weather resistant sealant between two sheets and fix both corners with two rivets
5. Corners fixed, then rest of the metals need to be fastened to the parapet. Secure metals from the top using 4,8x28 Hex screws. Use a zigzag pattern for fastening with a spacing of 300 mm between each fastener.



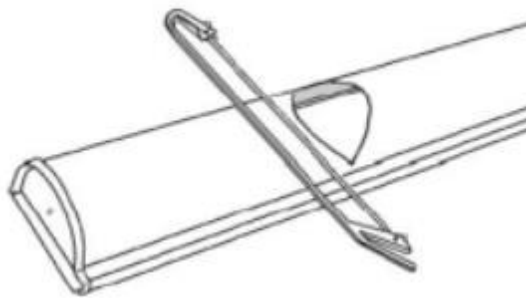
saunum

Rainwater system installation

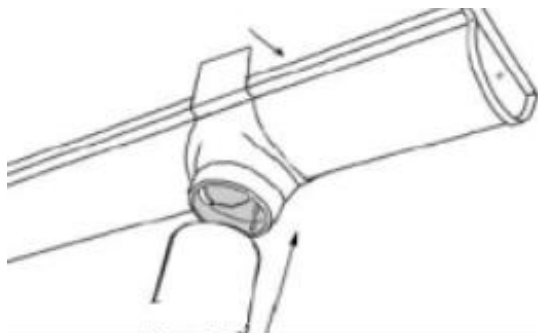
1. Begin the assembly process by securing gutter brackets to the wall using 5x70 woodscrews, with 2 screws per bracket. Distribute the gaps equally between the five brackets along the length of the gutter.



2. The brackets should be mounted with a slight downward angle towards the drain outlet
3. Mark the location on the underside of the gutter where you want to attach the downpipe. Using a hacksaw, make an opening in the base of the gutter

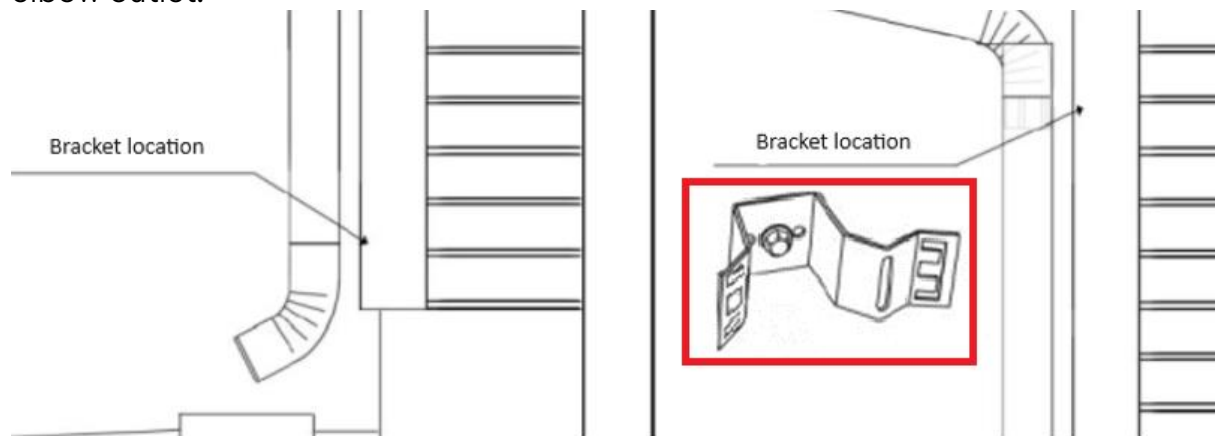


4. Position the gutter on the brackets and push it down until it clicks into place.
5. Place the drop outlet from below over the hole cut in the gutter. Bend the strips of the outlet around the edges of the gutter so the end piece is firmly in place. Use Pliers if necessary

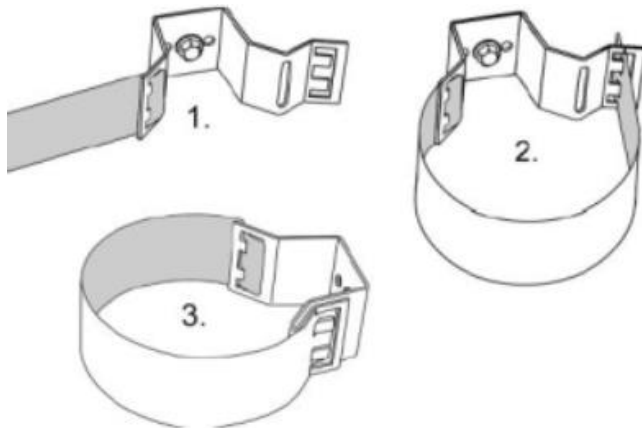


saunum

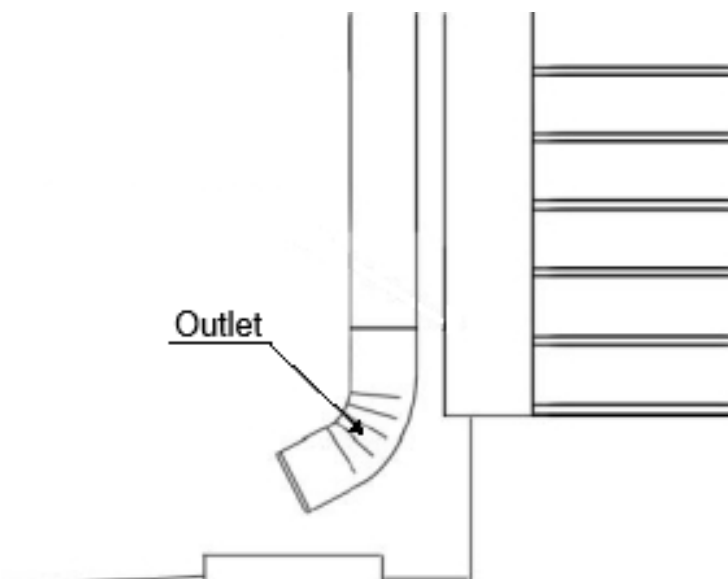
6. Install downpipe brackets use 5x50 screws two or each on the centerline of the drop outlet. Use 5x50 screws two or each. Brackets are required on both ends of the downpipe - at the connection with the drop outlet and at the elbow outlet.



7. Insert the downpipe into drop outlet and fasten the pipe on the wall with brackets



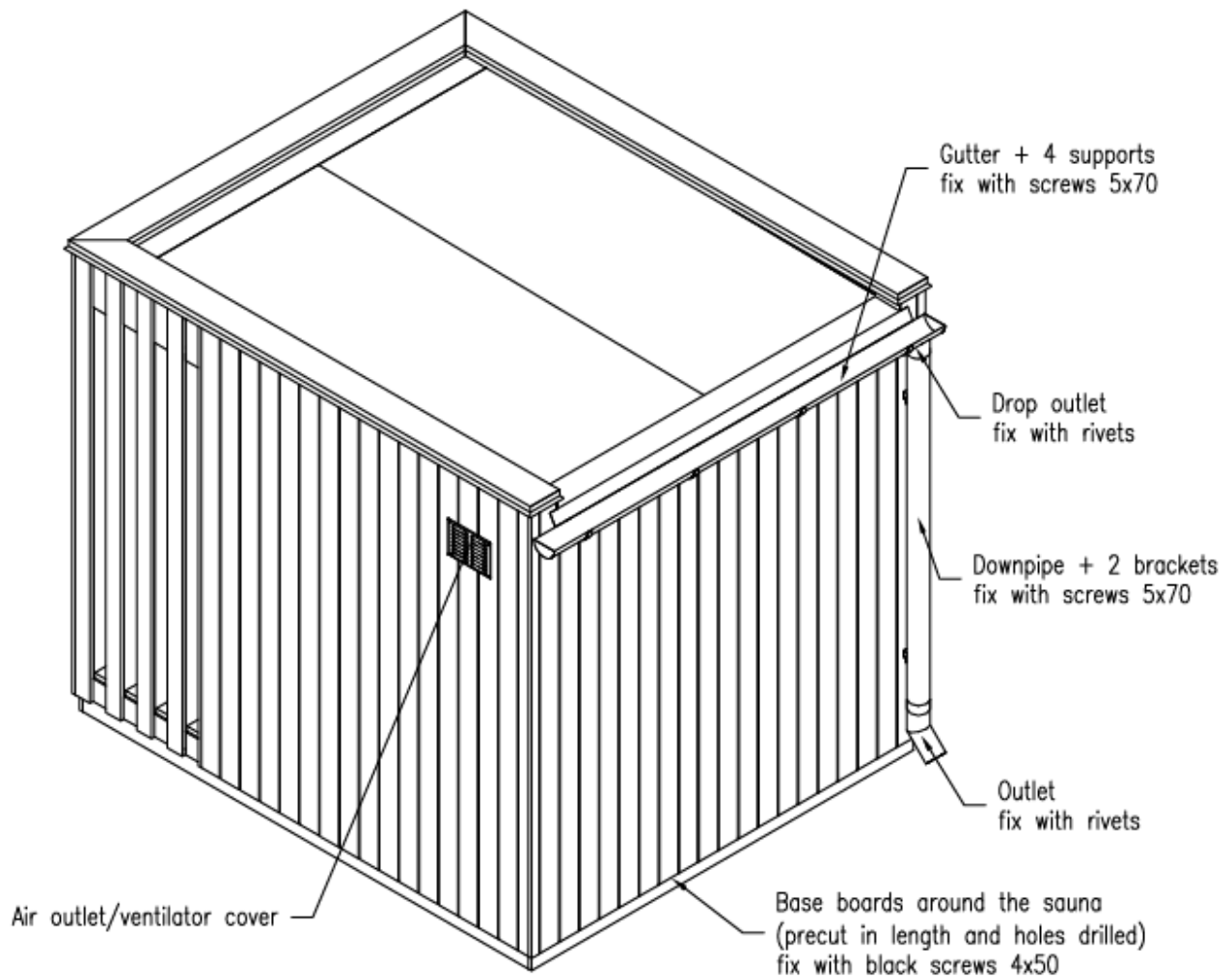
8. Finally use rivets to attach the pipe ends to the outlets.



saunum

Base boards installation

Purpose of the base boards is decorative. Baseboards have been cut in the correct length and have pre-drilled holes in them. When installing the baseboards, make sure you are using the right board on the correct side. Attach each baseboard to the base beams using 4,2x55mm (black) woodscrews.



5. Instructions for adjusting sauna door

Adjusting the hinge

The door hinge N3248-110 TMKSS use allows for vertical and horizontal adjustment.

Door leaf adjustment up/down, see Figure 3.

Remove the protective cap 1 from one door hinge (using a 5mm Allen key).

By turning the Allen bolt 2 below it clockwise (using a 5mm Allen key). The door leaf moves upwards (one full turn raises door leaf by 1 mm); turning it counter clockwise, the door leaf moves downwards. After the door leaf has risen to the desired height, adjust the other hinges in the same way so that the weight of the door leaf is evenly distributed between the hinges. Slightly tighten the upper protective cap 1.

Adjusting the door leaf's side gaps inside the frame, see Figure 3

Open the door leaf so that you can easily access the frame-side fastening screws of the hinges. Loosen the middle hinge's fastening screws 3 by approx. 1,5 turns, using TX25 screwdriver. Turn the adjusting bolts 4 clockwise (using a 4mm Allen key) to increase the door leaf's gap inside the frame on the hinge side (one full turn moves the door leaf by approx. 2 mm). Tighten the adjusting bolts 4 all to the same depth; carefully tighten the fastening screws 3. If necessary, make the same adjustments at the upper hinge. It is important that the axis of the middle hinge be in line with the axis of the upper and lower hinges. Finally, retighten the fastening screws 3 of all hinges.

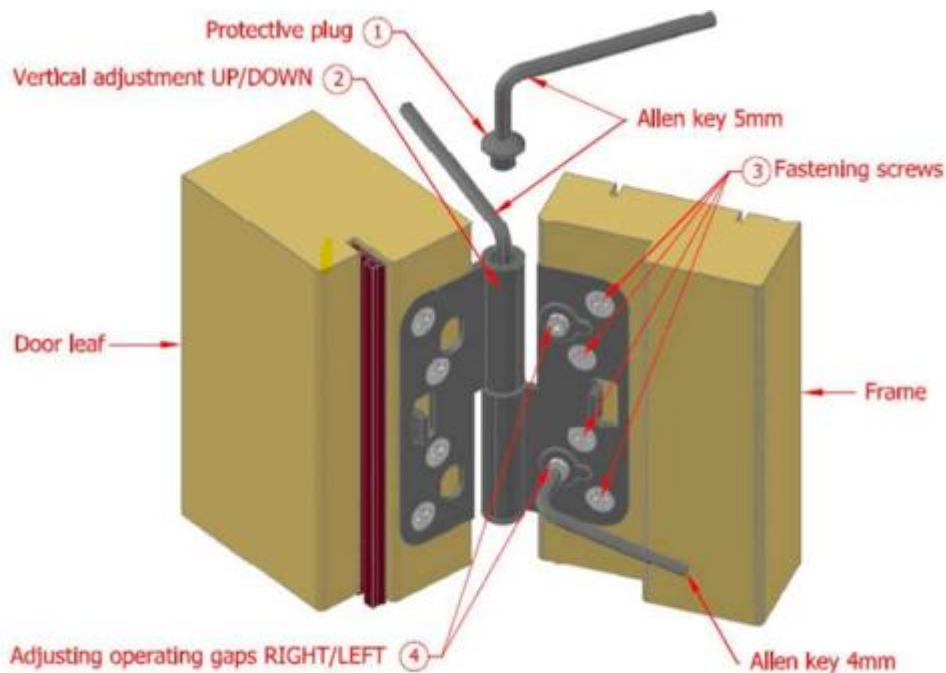


Figure 3. Adjusting the hinges

Remember: Adjusting the hinges corrects the position of the door leaf in relation to the frame (gaps); it is not possible to eliminate the warp of incorrectly installed frames. Regular lubrication of the door hinges twice a year improves their performance and prolongs their service life.

6. Sauna electrical connections

All the electrical connections must be made by certified electrician.

Saunas have been prewired. All electrical connections for LED lights, speakers and ventilator are made in factory factory to ensure safety and compliance with industry standards. To connect sauna with electrical power source, a CEE plug 5P, 16A is provided.



CEE plug, 5P, 16A

If sauna is ordered without heater, it is necessary to install the heater. It is imperative to strictly adhere to the manufacturer's installation manuals. These manuals provide crucial guidelines that facilitate proper setup and efficient operation of the heater.

7. User guide

Fresh air ventilator and exterior light switch

Behind cladding small hatch, you can find swish for turning on and off the fresh air ventilator. Hatch is located on the side of the sauna.



Using and connecting Bluetooth speakers

1. Make sure that Sauna is connected to external power
2. There is a red light on the speakers if they are not connected to any device
3. Turn on Bluetooth on your phone and search for available devices
4. "PROMARINE-BT65" should appear on the list
5. Connect your phone with it and speakers should make a sound to indicate a successful connection
6. Now there should be a blue light on the speakers and they are ready to transmit sound

Using remote controller

The remote is used to control Sauna's interior lights.

- Channel 1 – interior lights



Interior lights (Channel 1) are dimmable when holding down ON or OFF button.

8. Maintenance

General upkeep

- After each use, ensure that the sauna is properly ventilated. Turn on the ventilation system to help dry out any excessive moisture.
- Gently clean the surfaces of benches and cladding with a damp cloth to remove any sweat or dirt buildup. Do not use harsh chemicals or abrasives which could damage the wood.

Interior maintenance

- Treat interior wood surfaces with a wood preservative specially formulated for saunas to guard against rot and maintain its resistance to heat and moisture.
- Regularly remove the wooden floor grid and clean underneath. Sweep or vacuum any debris. Clean the wooden floor grid with a damp cloth and a gentle wood cleaner, avoid using excessive water.
- Routinely check corners and crevices for any signs of mold or mildew, treating them promptly if found.

Exterior care

- Clean the exterior cladding once year using special wood cleaner designed for outdoor use to prevent any mold or mildew formation.
- Check for any chipping or peeling on the exterior surface and reapply a protective finish if necessary.

General notes

- Never pour water over the heater when it is off.
- Do not leave combustible materials like towels inside the sauna after use.
- Ensure you read and follow all safety instructions provided by your sauna heater manufacturer regarding operation and maintenance activities.
- For any concerns regarding electrical systems, contact certified electricians for inspection and repair. Regularly conducting these maintenance steps will help prolong the life of your sauna and ensure a safe, enjoyable experience.
- Sauna door must be closed during heating to avoid over-heating!

9. WARRANTY CONDITIONS FOR SAUNUM SAUNAS

Warranty Period:

The warranty is valid for a period of 2 years from the date of purchase. Warranty is only valid if the sauna's foundation has been constructed correctly according to the guidelines provided. Improperly constructed foundations will void this warranty.

Coverage:

The warranty covers defects in materials and workmanship of the wooden interior, cladding, bench, wooden frame of the sauna, and the roof covering material

Interior Elements: The warranty covers defects in wooden interior cladding and benches, provided the sauna has been used under normal conditions (not for commercial usage) and received proper maintenance as per manufacturer's guidelines. This warranty does not include changes in wood color, texture, or slight warping, which are natural characteristics of wood. Including window frame.

Structural Integrity: The wooden frame of the sauna is warranted against defects in workmanship and materials. This does not include minor cosmetic issues which do not affect the performance of the sauna.

Roof Covering: Protan the roof covering material is warranted against leaks due to material manufacturing and workmanship defects. The mechanical damage on the Roof covering material will not be covered under warranty.

saunum

Exclusions:

This warranty does not cover any damage or defects resulting from normal wear and tear, lack of maintenance as per instructions, alteration, misuse, or abuse. Man-made injuries or damage caused by accidents, pests, natural disasters or any other external forces and transportation damages are specifically excluded from this warranty.

Warranty is only valid if the sauna's foundation has been constructed correctly according to the guidelines provided. Improperly constructed foundations will void this warranty.

Issues arising from failure to perform maintenance as per provided instructions.

Damage to external painted wooden cladding due to lack of maintenance.

Water damage if a rainwater system is not installed or if it is improperly installed.

The heater unit is excluded from this warranty (sold separately).

The warranty is only valid if heater is installed in strict accordance with the manufacturer's instructions. Improper installation will result in voiding of this warranty.

It is crucial to adhere to all safety distances around the sauna heater as per manufacturer requirements. Failure to keep a safe distance can lead to safety hazards and invalidate this warranty.

Claims Process:

To file a claim under this warranty, the original purchaser must contact customer service with proof of purchase and detailed description/photos of the defect within the warranty period. The manufacturer reserves the right to inspect the defect before honoring any warranty claim.

