



saunum

Saunum Base/Base Short/Base S

Sauna climate unit



THE BEST SAUNA EXPERIENCE TO HAVE!



I am very glad that you have invested in the Saunum device, and I believe that our innovative technology will offer you a wonderful and extraordinary sauna experience.

I have a degree in thermal engineering and come from the Southern Estonia, where my love for saunas began. The special feature of local historic smoke saunas is the lower temperature and higher humidity level than, for example, a classic Finnish sauna. In ordinary saunas, the stone volume of the sauna heater is generally small. Such an arrangement can cause a sudden, burning hot steam and an extremely uneven temperature, where your head and shoulder level is really hot, but your feet are left cold. Such an experience can be quite unpleasant and may cause headaches and lead to body stress. However, in ancient smoke saunas and Native American saunas, the stones were first heated during the day. Then the heat stored in the stones was used to cleanse the body and create a truly enjoyable sauna experience.

Inspired by the experience of a smoke sauna, I wanted to create an innovative solution that combines the best features of an authentic sauna with modern technology; enabling a pleasantly mild and relaxing sauna experience without painfully scorching steam. For that, however, I had to solve the problem of how to achieve an even temperature, at both the head and foot levels. My development work was supported by research done alongside Tallinn University of Technology,



in which we analyzed the thermal stratification and air movement in the sauna room. Saunum was born in cooperation between scientific thinking and technological innovation.

Saunum's unique patented mixing system of air layers captures the hot steam that rises under the ceiling of the sauna room, mixes it with the cooler air from the surface of the floor, and directs the milder steam back evenly. This makes for an enjoyable, unaggressive heat. You can sit in the sauna for a longer time, and enjoy a sweat and a deep cleanse without feeling tired. The stone volume of our heaters is significantly larger than most widely used sauna heaters, which is the reason for the especially pleasant indoor climate with long and soft steam.

A moist steamy sauna, a therapeutic salt sauna, or a healthy aroma sauna – all of these functions are available on Saunum's devices to create a truly relaxing sauna experience. When using Himalayan salt spheres in our device, salt ions that are beneficial to skin and respiratory tract evaporate and the steam circulates these into the air. Adding a sauna aroma system that blends steam and healthy aroma oil creates an even more enjoyable sauna environment.

Saunum's sauna devices are suitable for both adults and children.

Have a pleasant sauna!

Andrus Vare
The creator of Saunum



CONTENTS

How to use _____	7
Saunum Base / Base Short Model device _____	8 - 9
Saunum Base S Model device _____	10 - 11
Before the installation _____	12
Safety information _____	13
INSTALLATION INSTRUCTIONS	
Electrical connections _____	14 - 17
Installation _____	18
Saunum Base / Base Short wall-mounted installation _____	19 - 23
Saunum Base S in-wall installation _____	24 - 27
External speed switch installation _____	28
INSTRUCTIONS FOR USE	
Instructions for use _____	29
Sauna climate control _____	29
Using the device _____	30
Instructions for using Himalayan salt spheres _____	31
Warnings _____	32
Maintenance and repair _____	33
Warranty _____	34 - 35
Installation report _____	36



Read all of the instructions for use carefully and thoroughly **before using the device** and keep them in a safe and easily accessible place for future reference.



Saunum **congratulates you** on choosing an innovative sauna climate unit!

USING SAUNUM BASE CLIMATE DEVICE

At Saunum, we believe that a great sauna experience is more than just heat — it's about balance, breathability, and comfort from head to toe. With Saunum Base, your sauna gains a powerful enhancement: dynamic airflow control that harmonizes temperature and humidity between ceiling and floor.

Whether you're enjoying gentle heat or a steam-intensive session, Saunum Base circulates air efficiently to reduce sharp contrasts and improve overall comfort. This allows longer, more enjoyable sessions with less strain on the body.

While traditional sauna air tends to collect at the top, leaving the lower area cooler and harder to breathe, Saunum Base brings the warmth and humidity down to where you sit or lie.


Salt spheres can optionally be used for added benefits, but are not required for the device to function.

We hope this advanced climate system helps you enjoy a better, more balanced sauna — every time.



HOW TO USE

These installation and operating instructions are intended for the sauna owner and maintenance provider, as well as the certified electrician responsible for installing the Saunum Base climate device. After installation, the manual must be handed over to the owner or service provider.

 **Do not begin using the Saunum Base before reading all installation and safety instructions in full.**

The Saunum Base is a climate control device designed to balance temperature layers in the sauna room by circulating hot air from the upper zone downward. This creates a smoother, more breathable, and more uniform sauna environment.



Do not operate the climate device more than 15 minutes on speed 3, to avoid motor overheat.

In addition to air circulation, the device can be used with Himalayan salt spheres and an aroma bowl placed in the base module. These optional features are removable and do not affect the core operation of the device.

The Saunum Base product family includes **three models**, each differing in installation type and control configuration. Before proceeding with installation or operation, refer to the comparison table below to identify your model and its specific features.

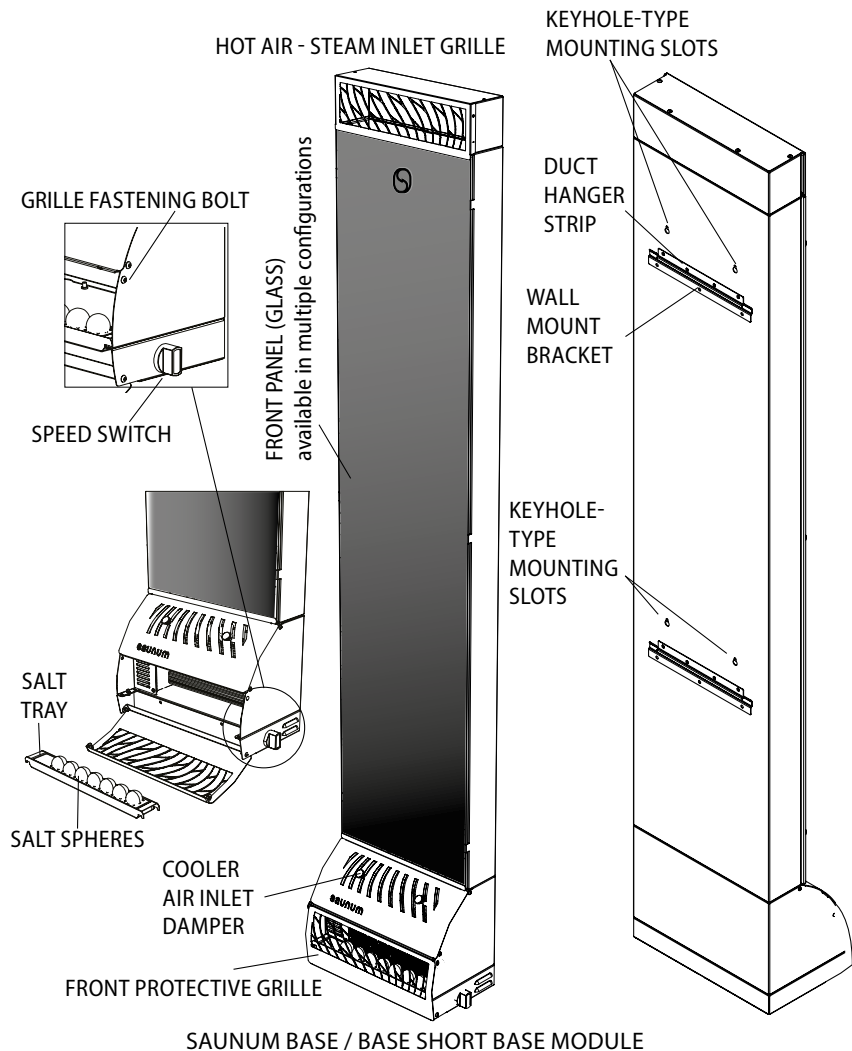
Detailed operating instructions for each model are provided in the following sections.

OVERVIEW OF BASE / BASE SHORT / BASE S MODELS

Feature	Base	Base Short	Base S
Installation	Surface-mounted	Surface-mounted (shorter body)	Fully recessed in wall
Illumination	Yes (optional)	Yes (optional)	No
LED control	Auto or separate switch	Auto or separate switch	No
Speed control	Built-in rotary switch	Built-in rotary switch	External touch switch
Switch location	On Device	On Device	Outside sauna
Extra requirements			Flush box Ø 68 mm, ≥30 mm depth



SAUNUM BASE / BASE SHORT MODEL DEVICE



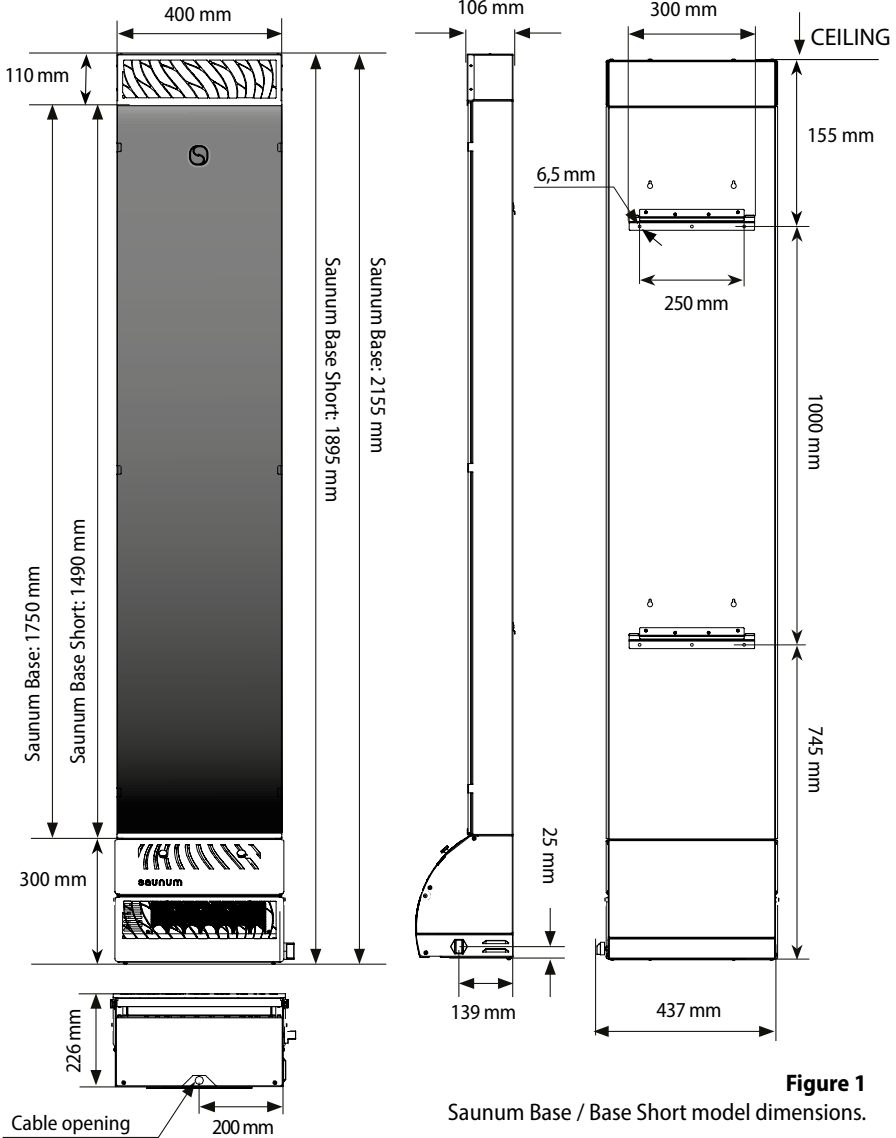
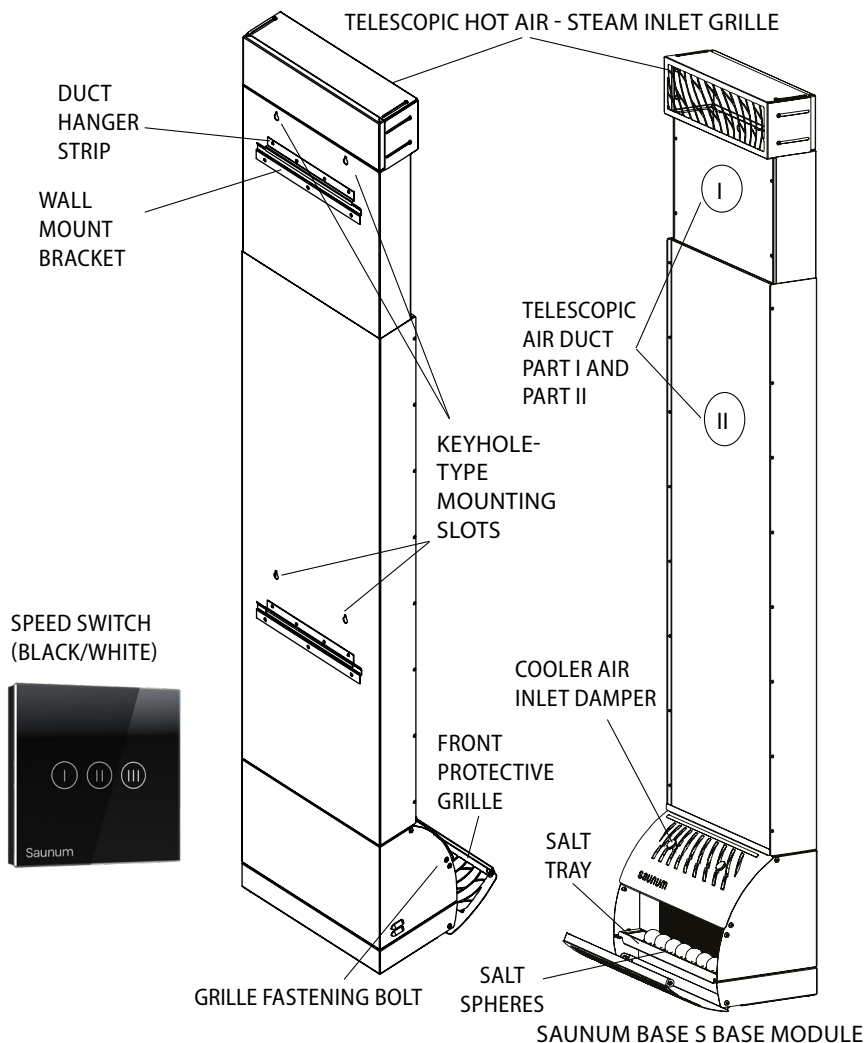


Figure 1
Saunum Base / Base Short model dimensions.



SAUNUM BASE S MODEL DEVICE



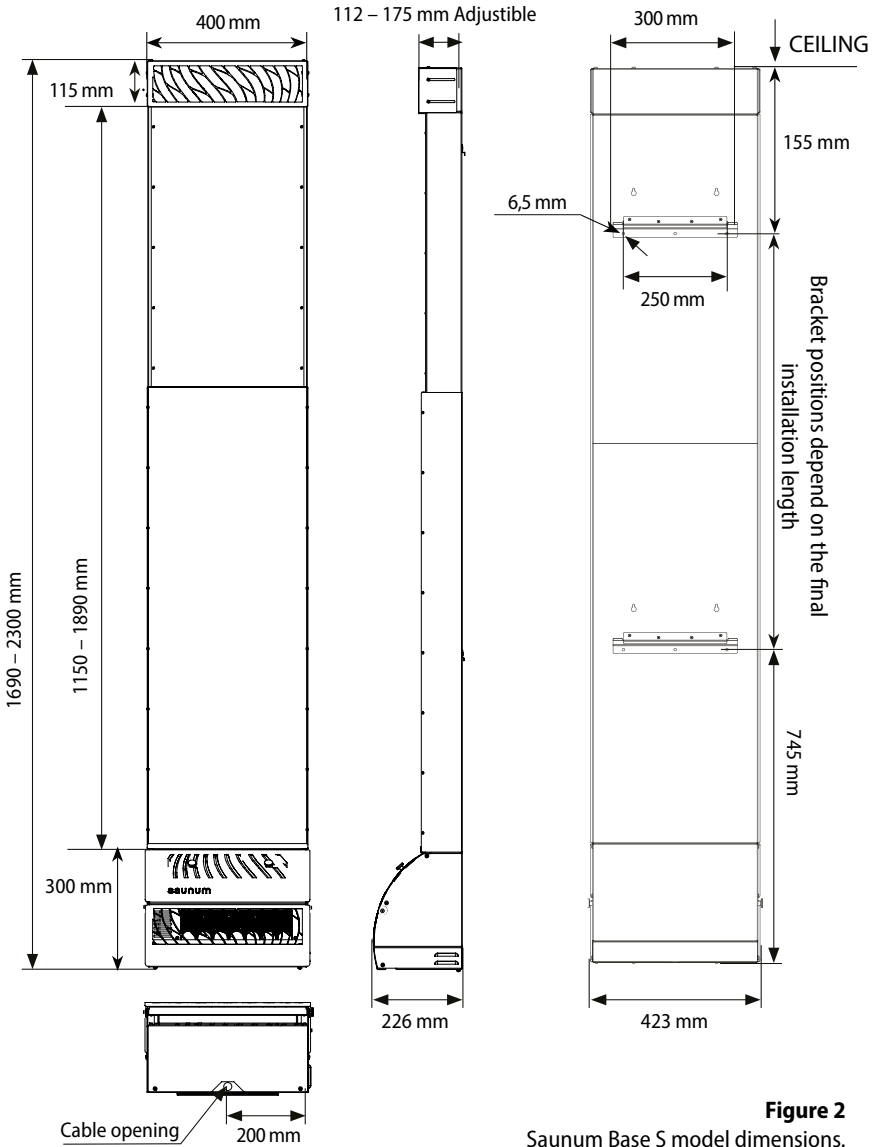


Figure 2
Saunum Base S model dimensions.



BEFORE THE INSTALLATION

The Device must be installed by a person who is qualified to perform electrical work. The Device must be connected to the power grid by using permanent wiring that is suitable for the ambient temperature conditions. The connecting terminals of the Device must be equipped with protective earthing (PE). The cross-sectional area of the wire must be at least 1.5 mm². The Device must be powered from a power circuit that is protected with overcurrent and residual-current devices.

Supply voltage: 230 V 50/60 Hz
Wattage: 75 W.

This Device is intended for home sauna use only. For public use, prior consultation with the distributor is required.

Before installation, ensure that:

- Airflow from the device is not obstructed and can circulate freely across the sauna room.
- The air outlet must not be obstructed.
- The discharged airflow must circulate freely in the sauna room.
- The exhaust opening of the device must not be directed at the heater.
- The device is not installed underneath shower heads or water-spraying fixtures.

- The device must not be operated if any housing components have been removed or if the wiring has been modified.

WARNING: The Saunum Base should not be used in saunas where air temperature exceeds 100 °C. Overheating may lead to malfunction or fire risk.

WARNING: The device is designed solely for air circulation and climate equalization inside the sauna. Any other use is prohibited.

WARNING: Children must not operate, access, or play with the device. Use only under constant adult supervision.

CAUTION: Disconnect power at the breaker panel and allow all moving parts to come to a complete stop before servicing or cleaning the device.

CAUTION: The device housing contains sharp edges. Handle with care during installation.

CAUTION: Do not pour water on or into the ventilation openings of the device. Do not use the device in environments where flammable or explosive gases may be present.



If you have allergies or medical contraindications to salt aerosols, consult your doctor before use. The use of Himalayan salt spheres is optional and does not affect the core functionality of the device. Salt spheres can be removed from the base tray if necessary.



Do not keep your feet or any body part closer than 20 in (500 mm) to the air outlet when the fan is operating.



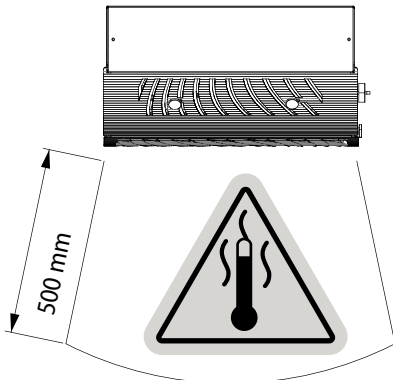
Keep children at least 1000 mm away from the air outlet when the fan is operating. Hot steam may cause burns!



Do not allow pets in the sauna room while the device is operating.

TRANSPORT AND STORAGE

The device is packaged to remain protected under normal transport conditions. The Device must not be dropped, tossed or stored under heavy goods. Store the Device in a dry room that is protected from weather effects.





ELECTRICAL CONNECTIONS

1. General requirements.

- The Device must be installed only by a qualified electrician, in full compliance with all applicable standards and regulations.
- The Saunum Base must be permanently connected to the power grid using a screw terminal and a heat-resistant cable suitable for sauna conditions.
- Follow the wiring diagrams provided in this manual (Figures 2, 3, 4).
- The power cable's outer diameter must not exceed 10 mm.
- The Device must have protective grounding (PE) with a minimum cross-sectional area of 1.5 mm².
- The supply must be 230 VAC / 50/60 Hz, protected by a 1 A overcurrent device and a residual-current device.
- If the Device is equipped with internal illumination, the lighting may switch on together with the fan or be powered and controlled separately, depending on the model configuration. Refer to the wiring diagram.
- The power circuit of the lighting must be equipped with residual-current and overcurrent protection devices.
- Depending on the model, the fan is controlled either by an internal rotary switch or by an external speed switch. Both supply circuits must be protected with residual-current and overcurrent protection devices.

2. Power cable routing.

- Route the power cable vertically from below to prevent water ingress.
- The external insulation of the cable may only be stripped in the section remaining inside the Device.
- The cable must not lie on the floor of the sauna room.

3. Connection procedure.

- Switch off the power at the breaker panel before work.
- Insert the power cable through the bottom entry hole of the Device.
- Securely connect L (live), N (neutral), and PE (ground) to the corresponding terminals.
- Ensure all wiring connections are tight and protected against moisture.

4. Safety checks.

- Verify proper grounding and secure connections.
- Confirm that the cable is routed without sharp bends or tension.
- Ensure the circuit includes both residual-current and overcurrent protection devices.

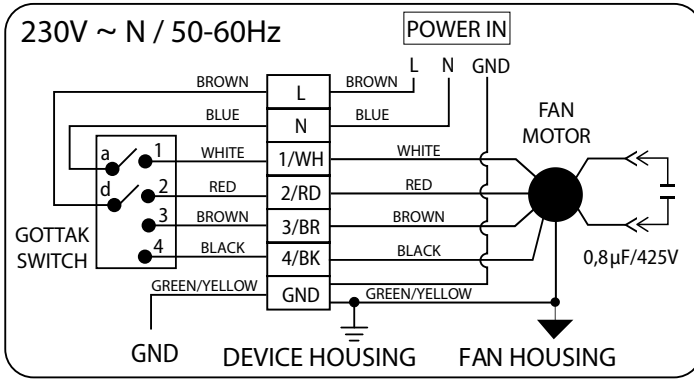
5. Final step.

- Make sure there are no items or tools left inside the Device.
- Restore power and briefly test the fan to ensure it operates smoothly and quietly.
- Do not operate the Device without the covers and grilles securely installed.



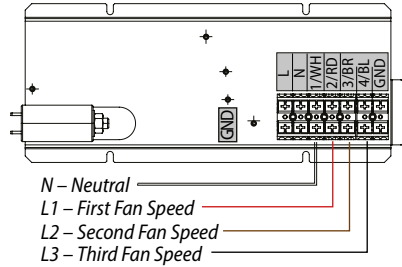
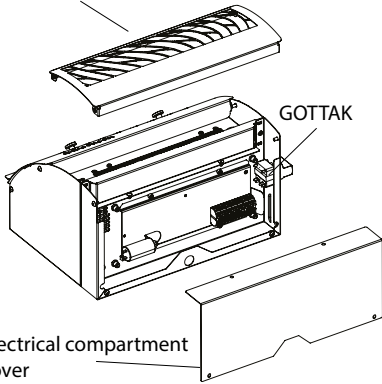
Figure 2 – Wiring diagram and electrical component board.

SAUNUM BASE / BASE SHORT MODEL



SAUNUM BASE / BASE SHORT ELECTRONICS PLATE

Saunum Base Front Protective Grille



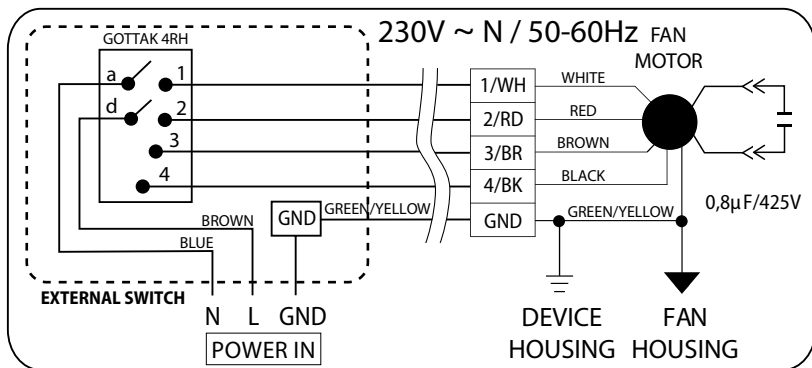
POWER/SPEED

230 VAC FAN POWER INPUT TERMINAL
 NB! ONLY CONNECT THROUGH AN AUTOMATIC PROTECTIVE DEVICE!



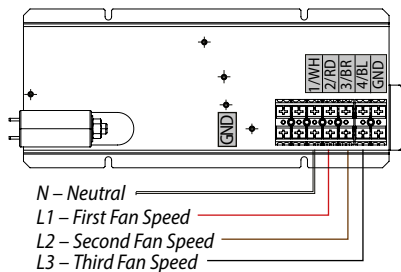
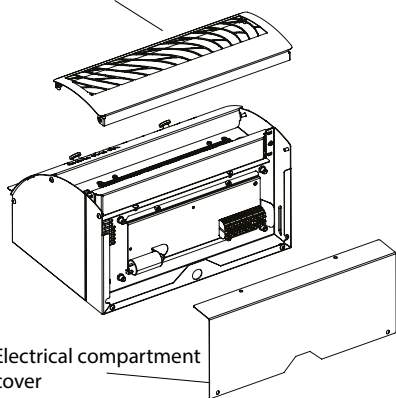
Figure 3 – Wiring diagram and electrical component board.

SAUNUM BASE 5 MODEL WITH EXTERNAL SPEED SWITCH



SAUNUM BASE 5 ELECTRONICS PLATE

Saunum Base Front Protective Grille



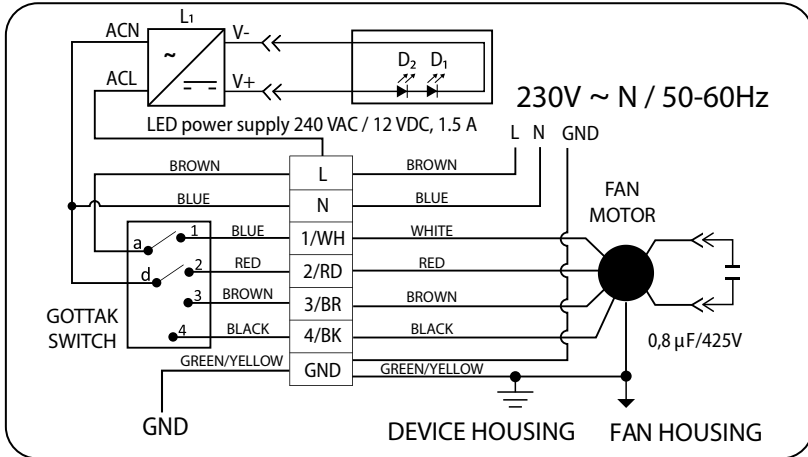
POWER/SPEED

230 VAC FAN POWER INPUT TERMINAL

NB! CONNECTION ONLY PERMITTED THROUGH AN AUTOMATIC PROTECTIVE DEVICE!



Figure 4 – Wiring diagram: Device, equipped with ILLUMINATION.



POWER/SPEED

230 VAC FAN POWER INPUT TERMINAL
 NB! ONLY CONNECT THROUGH AN AUTOMATIC
 PROTECTIVE DEVICE!



GENERAL INSTALLATION

GUIDELINES

IMPORTANT: Read the full Safety Information section before proceeding with installation (page 13).

The Saunum Base product family includes two installation types:

- **Saunum Base / Saunum Base Short** – surface-mounted installation on the sauna wall.
- **Saunum Base S** – recessed (in-wall) installation behind the inner wall lining.

Before installing any model, ensure the following general conditions are met.

GENERAL INSTALLATION CONDITIONS (ALL MODELS)

- The air outlet must not be obstructed.
- The discharged airflow must circulate freely in the sauna room.
- Do not install shower heads or any water-spraying fixtures above the Device.
- The lower edge of the Device must be installed at least 100 mm above the floor to avoid contact with standing water.

Vertical positioning

- Models with a hot air / steam inlet grille: Align the upper outlet edge with the sauna ceiling.
- Models without a grille: Install the upper edge 80–100 mm below the ceiling.

Wall strength

- The mounting surface must support at least 35 kg.
- Mounting strips must be fastened with at least two screws per strip (where applicable).

Proceed to the model-specific installation section

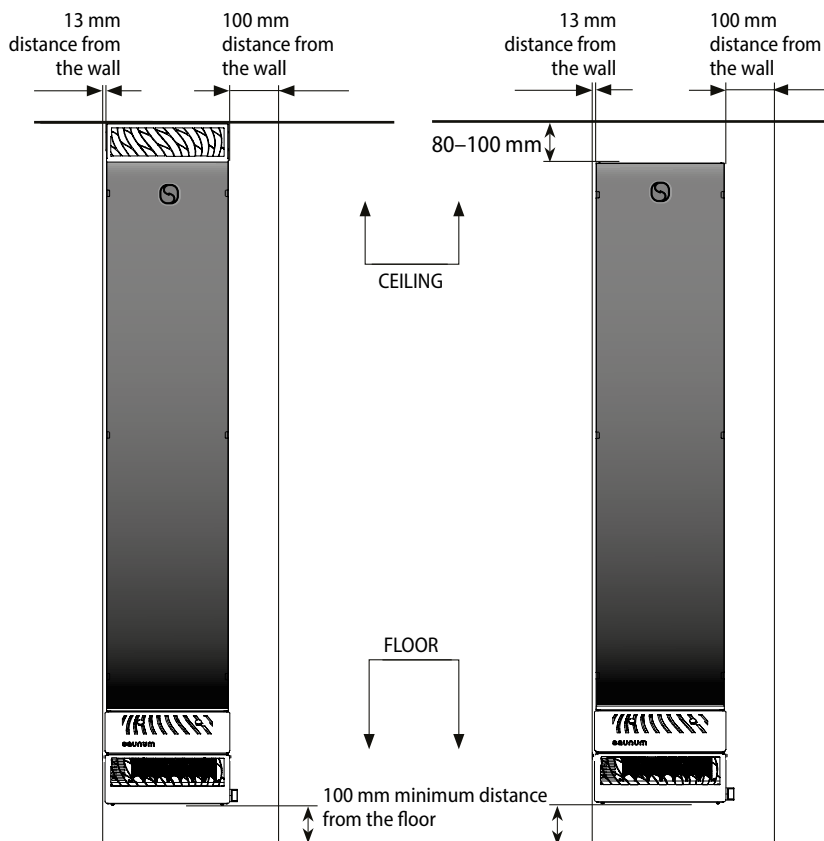
- **For Saunum Base / Saunum Base Short**, continue with wall-mounted Installation (p. 19).
- **For Saunum Base S**, continue with in-wall Installation (p. 24).



WALL-MOUNTED INSTALLATION

1. Determine installation height. Follow the required safety clearances as shown in the diagram below. Ensure that the selected location meets the following conditions:

- **The bottom edge of the device is at least 100 mm above the floor.**
- If the model includes the top hot air-steam inlet grille, it must be installed directly against the ceiling with no gap.
- If the model does not have a grille, position the upper edge of the Device 80–100 mm below the ceiling.



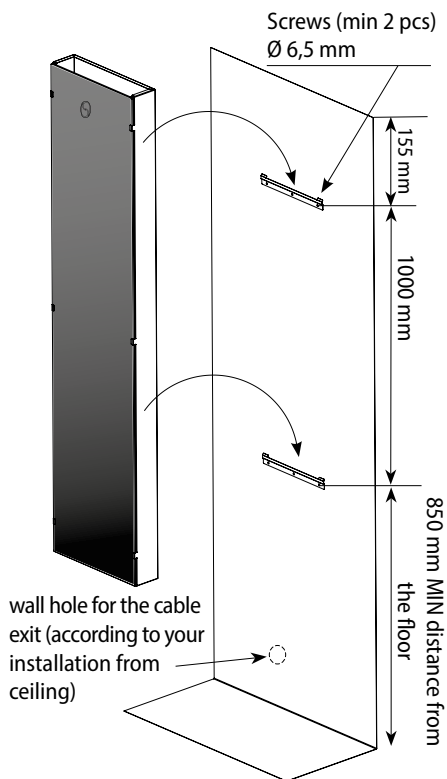
Safe distance from the heater based on the manufacturer's recommendation



2. Wall mounting

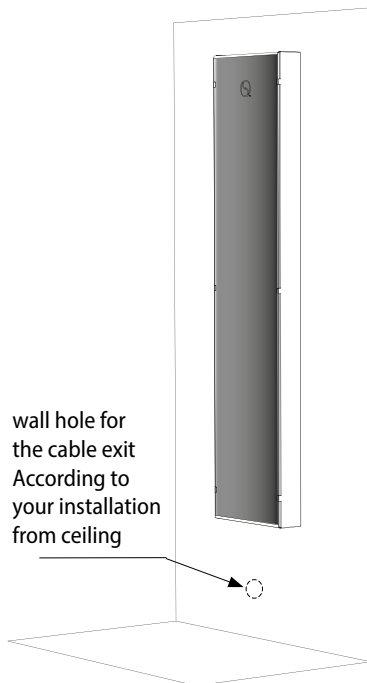
Fasten wall brackets (hanger strips).

- Use the included hanger strips.
- **Each strip must be secured with at least two screws.** Use wall anchors if needed. Recommended distance between mounting points: approx. 1000 mm vertically. The lower anchor must be placed not less than 850 mm from the floor.



3. Attach device to wall.

- Carefully lift the Saunum Base and hook it onto the wall-mounted brackets.
- Ensure that both upper and lower mounting slots on the back of the Device are fully engaged.
- Use a spirit level to check alignment.



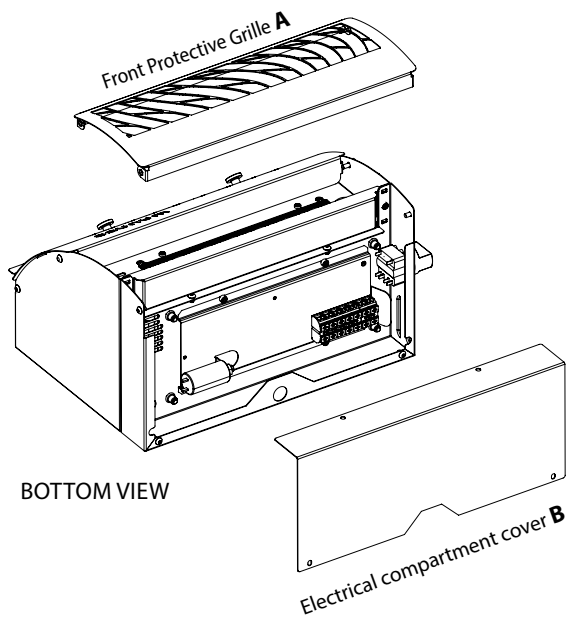
Alternative mounting method: The Device may also be installed using keyhole-type mounting slots. Screws are fixed into the wall first, and the Device is then hung onto them via the integrated keyhole openings.



4. Electrical Connection of the Saunum Base base module.

- Prepare the wall hole for the cable exit at the intended installation location of the Saunum Base base module.
- The cable exit opening must be positioned at the vertical centerline of the unit, approximately 40 mm below the intended installation position of the base module.

- Open the electrical compartment for connecting the power cord.
 - Remove the front protective grille of the Saunum Base base module **(A)**.
 - Remove the Saunum Base electrical compartment cover **(B)**.
- Follow the wiring diagram on page 15 and 17.
- Reassemble the module: install the electrical compartment cover **(B)** first, then the front protective grille **(A)**.



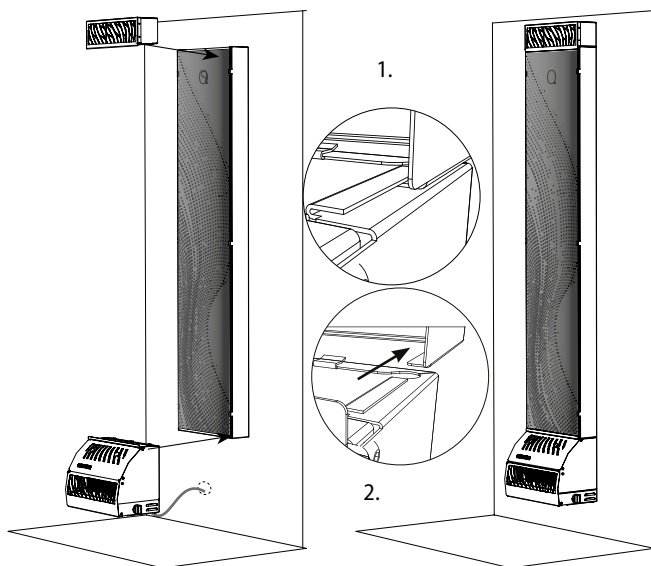
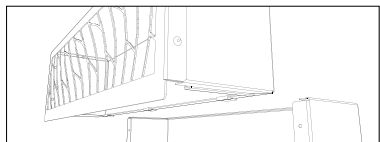


5. Install hot air - steam inlet grille and Saunum Base base module.

- If not pre-installed, fit the hot air-steam inlet grille and the base module (see Figures 1–2).
- Ensure all components are aligned and snapped into place.

6. Final check.

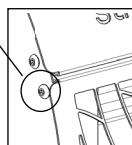
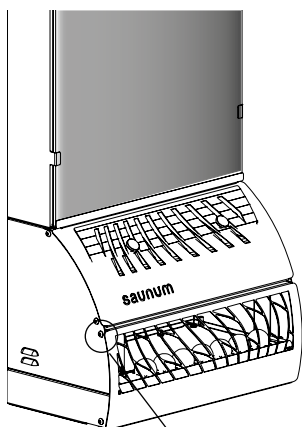
- Use a spirit level to confirm horizontal alignment.
- **Visually inspect the installation to ensure the device is firmly secured and undamaged.**
- **Do not use the device if any physical damage is observed.**



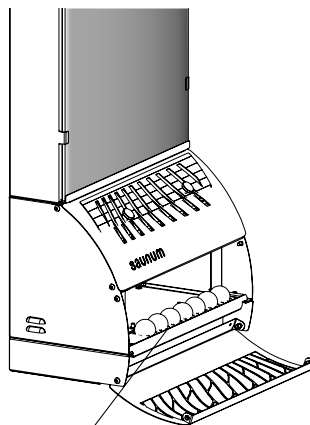


7. Install the salt spheres.

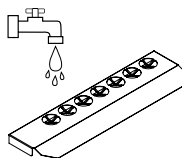
- Install the salt spheres after the Device has been mounted on the wall.
- Open the front protective grille by removing the two fastening screws using a 5/32 in (4 mm) hex key.
- Place the spheres in their designated slots on the tray.



FASTENING SCREW
USE HEX KEY



SALT SPHERES



NOTE!

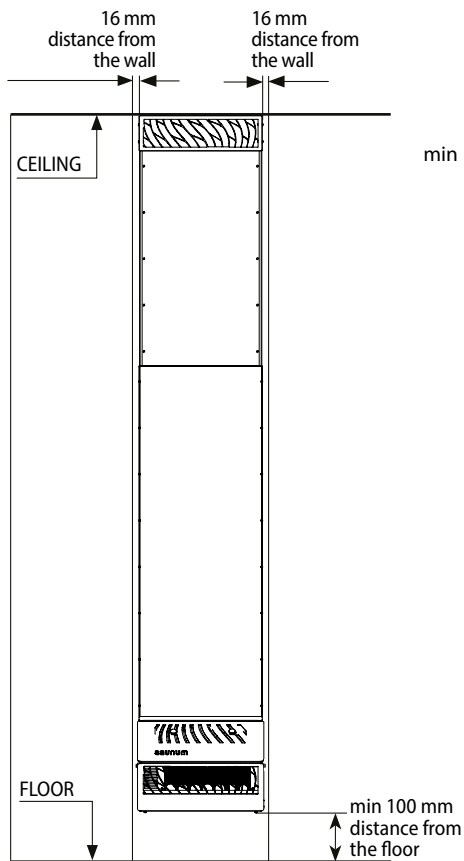
It is recommended to rinse the salt tray at least once a year.



BASE S IN-WALL INSTALLATION

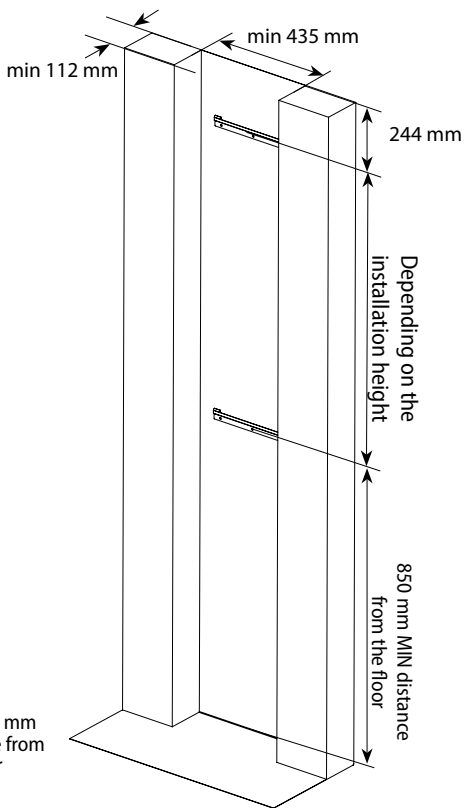
1. Preparation of the wall recess.

Follow the required safety clearances as shown in the diagram below.



Safe distance from the heater based on the manufacturer's recommendation

- Ensure the recess in the wall meets the device dimensions and allows air-flow without obstruction.
- **Minimum bottom clearance: 100 mm above the floor.**
- **Maintain 16 mm gap from the wall and 16 mm to the mounting surface** as indicated in manufacturer diagrams.

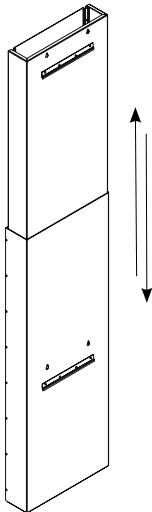




2. Wall mounting

Fasten wall brackets (hanging strips).

- Install the provided hanging strips inside the wall recess.
- Each strip must be secured with at least two screws.
- Ensure the wall structure can support 35 kg.
- Check the alignment and stability of the strips.
- Extend the telescopic flue so that its mounting points align with the installed hanging strips. The main telescopic body can extend 1150–1890 mm inside the wall.

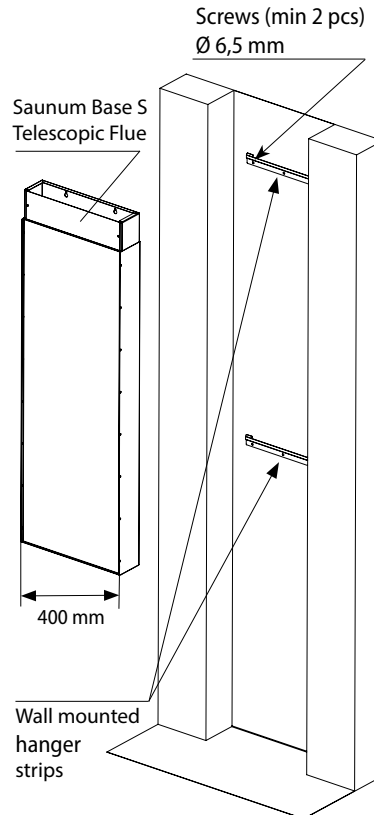


Alternative mounting option:

The Device may also be installed using key-hole-type mounting slots. Screws are fixed into the wall first, and the Device is hung onto them through the integrated keyhole openings.

3. Placing the device into the wall recess.

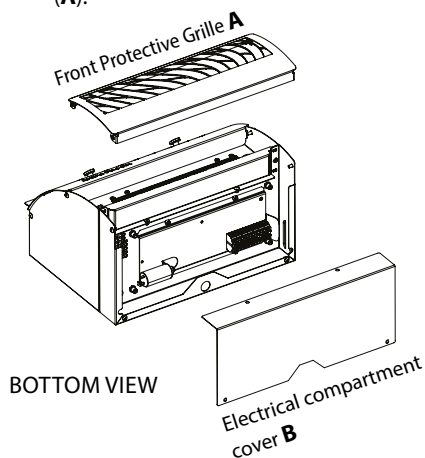
- Carefully lift the Saunum Base and slide it onto the mounted strips.
- Ensure both the upper and lower hooks fully engage.
- Verify horizontal alignment using a spirit level.





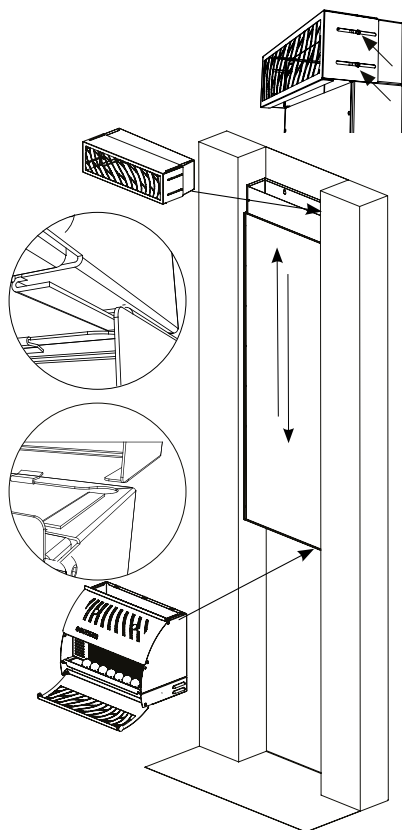
4. Electrical Connection of the Saunum Base base module.

- Prepare the wall space for the cable exit at the intended installation location of the Saunum Base S base module.
- The cable exit opening must be positioned at the vertical centerline of the unit, approximately 40 mm below the intended installation position of the base module.
- Open the electrical compartment for connecting the power cord.
 - Remove the front protective grille of the Saunum Base base module **(A)**.
 - Remove the Saunum Base electrical compartment cover **(B)**.
- Follow the wiring diagram on page 16.
- Reassemble the module: install the electrical compartment cover **(B)** first, then the front protective grille **(A)**.



5. Install top intake grille module and Saunum Base S base module.

- If not pre-installed, fit the hot air-steam inlet grille and the base module.
- The upper grille can be extended 112–175 mm to align with the wall surface depending on wall thickness.



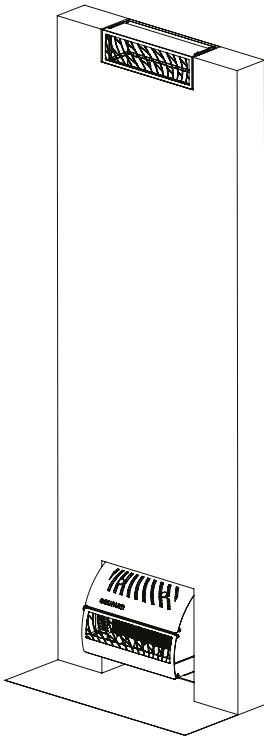


6. Sealing and finishing.

- Cover any open gaps or unused openings with the provided aluminum tape to prevent steam leakage.
- Ensure that the air outlet and fan remain unobstructed.

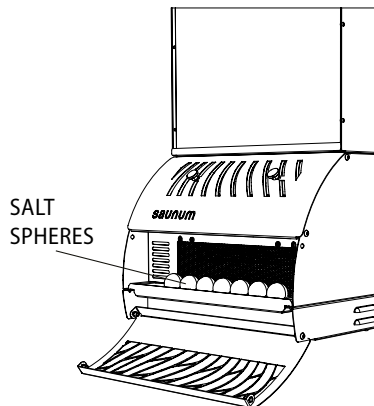
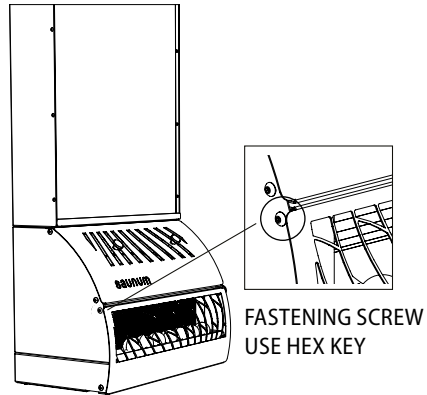
7. Final inspection.

- Verify that the Device is level, securely mounted, and free of damage.



8. Install the salt spheres.

- Install the salt spheres after the Device has been mounted on the wall.
- Open the front protective grille by removing the two fastening screws using a 5/32 in (4 mm) hex key.
- Place the spheres in their designated slots on the tray.





EXTERNAL SPEED SWITCH INSTALLATION

The external touch-sensitive speed switch must be installed **outside of the sauna room**, in a dry location, preferably near the door, in accordance with local electrical regulations.

Switch description.

The external switch is a wall-mounted touch-sensitive control panel with three airflow speed levels (I–II–III). The Device is switched on and off by pressing and holding the selected speed area. The switch is mounted in a standard \varnothing 68 mm flush-mount electrical box with a minimum installation depth of 30 mm. Terminal layout may vary depending on the switch model; wiring must follow the installation instructions supplied with the switch.

1. Prepare the mounting location.

- Plan the cable routing in advance and install the control cable inside the wall before closing the wall surface.
- Use a standard flush-mount electrical box (\varnothing 68 mm) suitable for heat-resistant installation.

2. Route the cables.

- Run the control cable inside the wall structure from the Saunum Base unit to the switch location.

- Ensure cable routing complies with local electrical and sauna wiring regulations.
- Avoid exposing cables to excessive heat or moisture.

3. Connect the wiring.

- Pull the control cable into the electrical box and connect the wires to the terminals according to the wiring instructions supplied with the switch.
- Ensure all connections are secure and properly insulated.
- Seal unused openings to maintain moisture protection.

4. Install the switch.

- Place the touch-sensitive switch into the electrical box and secure it using the supplied screws.
- Install the faceplate.

5. Final check.

- Verify that the switch operates correctly and that the Device responds to the available speed positions (I–II–III).
- The Device is switched on and off by pressing and holding the selected speed area.
- Ensure that all cable entries are sealed and protected from heat and moisture.

Note: Installation must be performed by a qualified electrician according to local electrical regulations.



INSTRUCTIONS FOR USE

Saunum Base devices improve the sauna climate by circulating air: warm air is drawn in from the upper part of the sauna room, mixed with cooler air, and released through the lower outlet.

This reduces temperature stratification and provides a more balanced and comfortable sauna environment.

Before operating the Device, ensure that:

- all protective covers and grilles are securely installed;
- the air inlet and outlet are unobstructed;
- the Device is clean and free of installation debris;
- the fan rotates freely when turned by hand;
- the installation has been completed according to the instructions in this manual.

SAUNA CLIMATE CONTROL

GENERAL PRINCIPLE

All Saunum Base models operate using the same climate-control principle: airflow speed and the air-cooling damper determine the perceived temperature and steam intensity.

- The air-cooling damper is located on the lower front panel of the Device.
- Recommended starting position: 1/3 open.
- Opening the damper reduces perceived heat and softens steam.
- Increasing fan speed increases mixing volume and helps adjust the overall climate.

SAUNUM BASE / SAUNUM BASE SHORT

These models use a **built-in rotary switch** located on the lower right side of the Device to select airflow speed (three levels).

Model-specific operating instructions are provided in the next section.

SAUNUM BASE S (wall-Integrated model)

This wall-integrated model is controlled using an **external touch-sensitive switch**, offering the same three airflow speeds.

Model-specific operating instructions are provided in the next section.



USING THE DEVICE



Do not operate the climate device during the heat-up period, unless the sauna room is uninsulated or exceptionally cold. Use the device only when the sauna is actively being used and people are present inside the sauna room. Operating the device unattended may cause excessive heating of sauna surfaces.



Do not operate the climate device more than 15 minutes on speed 3, to avoid motor overheat.

General operating rules (all models)

- Switch the Device on immediately before entering the sauna and off immediately after leaving.
- Do not operate the Device while heating the sauna or when the sauna is unoccupied, as the airflow increases temperatures near the floor and lower benches.
- The temperature at the bottom section of the Device must not exceed 80 °C.
- If this limit is exceeded, thermal protection stops the fan
- The fan restarts automatically once temperature drops.
- The manufacturer is not liable for failures caused by exceeding permitted temperatures.

SAUNUM BASE / SAUNUM BASE SHORT

How to operate:

- Turn the built-in rotary switch to select airflow speed (I–III).
- Turn the switch back to 0 to turn the Device off.
- Use fan speed and the air-cooling damper to adjust the sauna climate.

If the Device is equipped with internal LED illumination, the lighting operates in one of the following ways:

- **Standard configuration:** the illumination switches on and off together with the Device when the built-in rotary switch is used.
- **Optional configuration:** the illumination may be wired to a **separate light switch**, allowing independent control. This modification must be performed by a qualified electrician and depends on the specific installation setup.

SAUNUM BASE S

How to operate:

- Tap the touch-sensitive switch to select speed (I–III).
- Press and hold the selected area to switch the Device ON/OFF.
- Use fan speed and the air-cooling damper to adjust the sauna climate.

The switch must be located outside the sauna room.



HIMALAYAN SALT SPHERES

The sauna climate unit comes with Himalayan salt spheres. The use of salt spheres in the Device is optional and does not affect the basic function of the Device.

To use the salt spheres, they must be placed in the base tray located between the air discharge grille and the fan. Make sure that the salt spheres are placed correctly and do not impede the rotation of the fan.

To place or remove the salt spheres (see p. 23, and 27), loosen the two fastening bolts on the discharge grille and lower the grille on its hinges. Do not use excessive force! After placing or removing the salt spheres, shut the discharge grille and fasten it with two bolts.

The sauna climate unit may only be used if the front protective grille is installed!



WARNINGS

General safety

- Staying in the sauna for extended periods increases body temperature and may pose health risks.
- Do not allow children, elderly persons, or individuals with medical conditions to remain in the sauna unattended.
- Do not use the sauna under the influence of alcohol, drugs, or narcotics.

Medical considerations

- Consult your doctor regarding any medical contraindications related to sauna use.
- If using Himalayan salt spheres, ensure you are not sensitive or allergic to salt aerosols.
- Saunum is not responsible for adverse reactions related to salt exposure.
- Consult a pediatrician or family doctor before allowing children to use the sauna.

Safe behaviour in the sauna room

- Move carefully – sauna benches and floors may be slippery.
- Do not sleep in the sauna.
- Do not hang towels or clothing to dry inside the sauna, as this creates a fire hazard.
- Ensure proper ventilation of the sauna room. High humidity can damage equipment, and salt aerosols may accelerate corrosion of metal components.

Electrical safety

- Excessive moisture can damage electrical equipment.
- Electrical components of the Device must not be exposed to water.
- Installation, servicing, and maintenance must be performed only in a cool, dry environment.



MAINTENANCE

AND REPAIR

CAUTION! Before performing any maintenance or cleaning, disconnect the Device from the power supply at the breaker panel and ensure that all moving parts have come to a complete stop.

Before servicing the Device, verify the following:

- The Device has been fully disconnected from power (switch off the circuit breaker in addition to the Device's own switch).
- The fan has completely stopped.
- Appropriate occupational safety measures and personal protective equipment are used.
- All connecting cables are undamaged.

If any damage is detected, the cables must be replaced by a qualified electrician before continuing maintenance or cleaning.

Cleaning the housing

- Clean the external housing with a soft cloth dampened with water.
- **Do not use high-pressure washers, running water, chemical cleaners, or solvents.**
- Excessive dirt may cause fan imbalance and increase noise during operation.
- Damaged or bent fan blades can also cause abnormal noise.

- Ensure that no foreign objects enter the fan compartment or air channels.
- **The Device must not be cleaned by children.**

Fan maintenance

- As a rule, the fan does not require cleaning more than once per year.
- Fan cleaning may only be performed by qualified personnel.
- Do not use compressed air to clean the fan — this may permanently damage the rotor.
- The fan bearings are maintenance-free; if malfunction occurs, the fan assembly must be replaced.

Salt spheres (if used)

- If Himalayan salt spheres are installed, check their wear once per year (see p. 23 and 27).
- When a sphere's diameter has decreased by more than half, it must be replaced.

To replace the spheres:

- Remove the salt sphere tray from the Device.
- Rinse the tray under running water to remove salt residue.
- Reinstall the tray and place new spheres in their slots.

WARNING! If any malfunction occurs involving the fan or illumination, stop using the Device immediately and have it inspected by a qualified technician.



GENERAL WARRANTY CONDITIONS FOR SAUNUM PRODUCTS

With the Saunum Equipment Warranty, Saunum guarantees that the product will be free from materials and manufacturing defects for a specified period after the date of purchase. In the event of a defect in the Device during the warranty period due to the use of low-quality materials or low quality of assembly, the recommended repair partners of Saunum will repair or replace the Device or its defective part without charging for labor and spare parts under the conditions presented below. Saunum reserves the right to decide whether to replace the defective product component or replace the Device with a new one. Replaced defective product components remain the property of Saunum.

Warranty conditions:

1. The warranty is only valid if a completed installation report is submitted with the claim;
2. A warranty period of two (2) years applies to the Device if it is used in a private sauna;
3. A warranty period of one (1) year applies to the Device if it is used in a public sauna.

The warranty does not cover:

1. Routine maintenance and cleaning of the Device, and replacing components due to normal wear and tear;
2. Adapting or modifying the Device to use it for purposes other than those stated in the operating instructions;
3. Risks associated with transport; damage caused by misusing the Device;
4. Damage caused by improper installation of the Device;
5. Repairs performed by a party other than a recommended repair partner (maintenance partner) of Saunum;
6. Accidents, lightning, water, fire, improper ventilation or any other factor beyond the control of Saunum;
7. Faults caused by the use of salt spheres not recommended by Saunum;
8. Salt spheres.



The list of installation and maintenance technicians recommended by Saunum Saunas OÜ is available on the website of Saunum Saunas OÜ at www.saunum.com or by contacting info@saunum.com.

The maintenance instructions for the device are given in the user manual of the Device.

NB! The sauna climate unit may only be connected to the power and utilities by a professional electrician in accordance with the applicable regulations.

Read the entire user guide carefully and thoroughly before using the Device and keep it in a safe and easily accessible place for future reference.



INSTALLATION REPORT

Purchase date: _____

Heater type: _____

Sticker / serial number:

Place of installation: _____

Date of installation: _____

Installed by: _____

Checked: _____

Date, signature: _____

Description of work performed: _____

All details are available for installation _____

No color defects or dents _____

Mounted on the wall or floor according to the instructions _____

The electrical connections have been made in accordance with the installation instructions _____

The three stages of the fan are running / in the correct order _____

NOTES: _____

Customer contact (name, e-mail): _____

Work accepted: _____

Warranty start date: _____



EC declaration of conformity

Manufacturer: Saunum Saunas OÜ
Address: Suur-Paala 19
11415 Tallinn, Estonia

certifies that the product:

Sauna room indoor climate unit

complies with the requirements of the following directives of the Council of Europe, provided that the installation has been performed in accordance with the installation instructions issued by the device manufacturer and the instructions EN 60 204-1 "Safety of the machinery. Electrical equipment for the machinery – Part 1: General requirements":

Machinery Directive 2006/42/EC
Low Voltage Directive 2014/35/EU
Electromagnetic Compatibility Directive 2014/30/EU.